



MAX LAB PROVIDES ONE-STOP SOLUTION

GUANGZHOU MAX LABORATORY EQUIPMENT CO.,LTD.
广州麦克斯实验设备有限公司

LAB ACCESSORIES

GUANGZHOU MAX LABORATORY EQUIPMENT CO.,LTD.

Add: Room C202, 2nd Floor, No. 97, Gaopu Road, Tianhe District, Guangzhou

Tel: +86 020-38813936

Fax: +86 020-38813936

Phone:+86 130 0638 2889

E-mail: ada@maxlabfurniture.com

Website: www.maxlabfurniture.com



WATER FAUCETS



Body: Thickened Solid Brass

Coating: High gloss epoxy powder, resistant to most chemicals, UV fading&heat.

Valve Unit: Ceramic headwork, 90° turn, 500,000 life cycles, static pre

Nozzle: Detachable brass or PP nozzle.

Gooseneck: 360° rotating.

Knob: High grade PP, ergonomic design&resistant to chemicals

Optional Wrist blade lever: High grade PP, ergonomic design, resistant to chemicals and prevent secondary pollution.

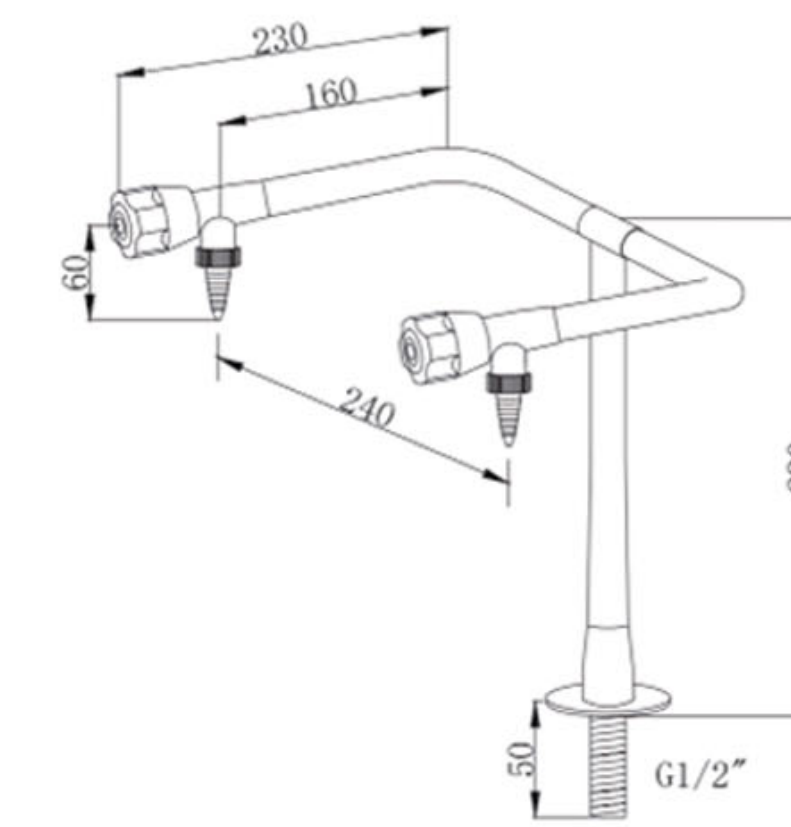
Add a filter at the bottom to filter impurities in the water.

Durable, no water seepage and breakage.

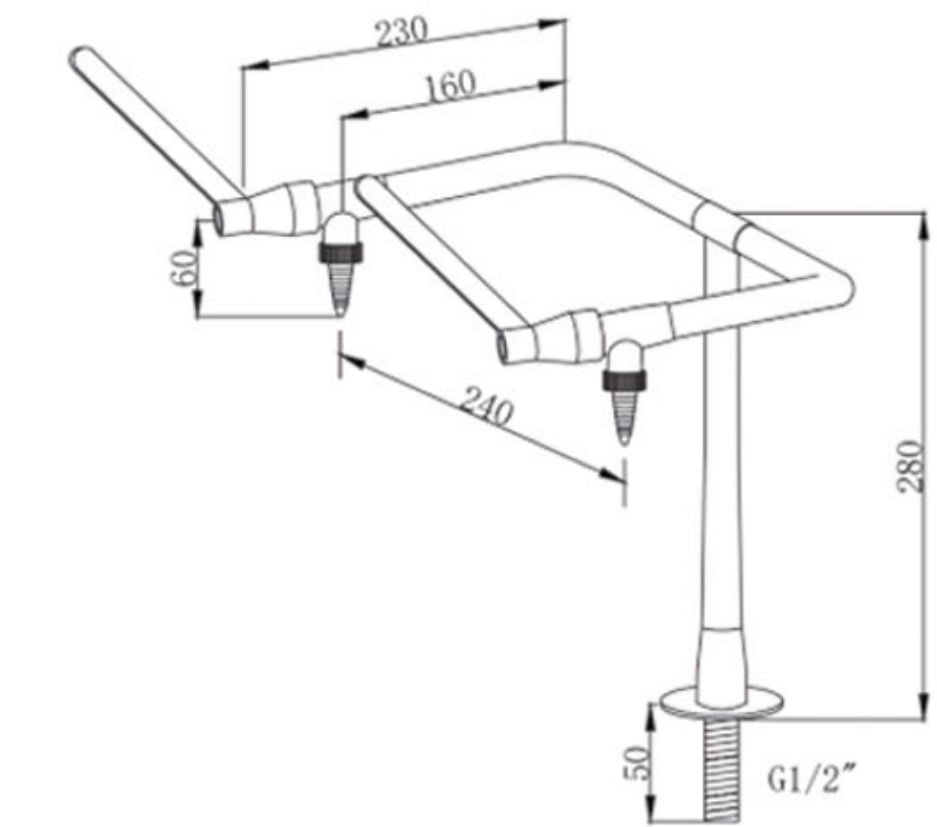


GUANGZHOU MAX LABORATORY EQUIPMENT CO.,LTD.

DOUBLE FAUCET



WF-06
Double Faucet, Deck Mounted,
U-Shaped

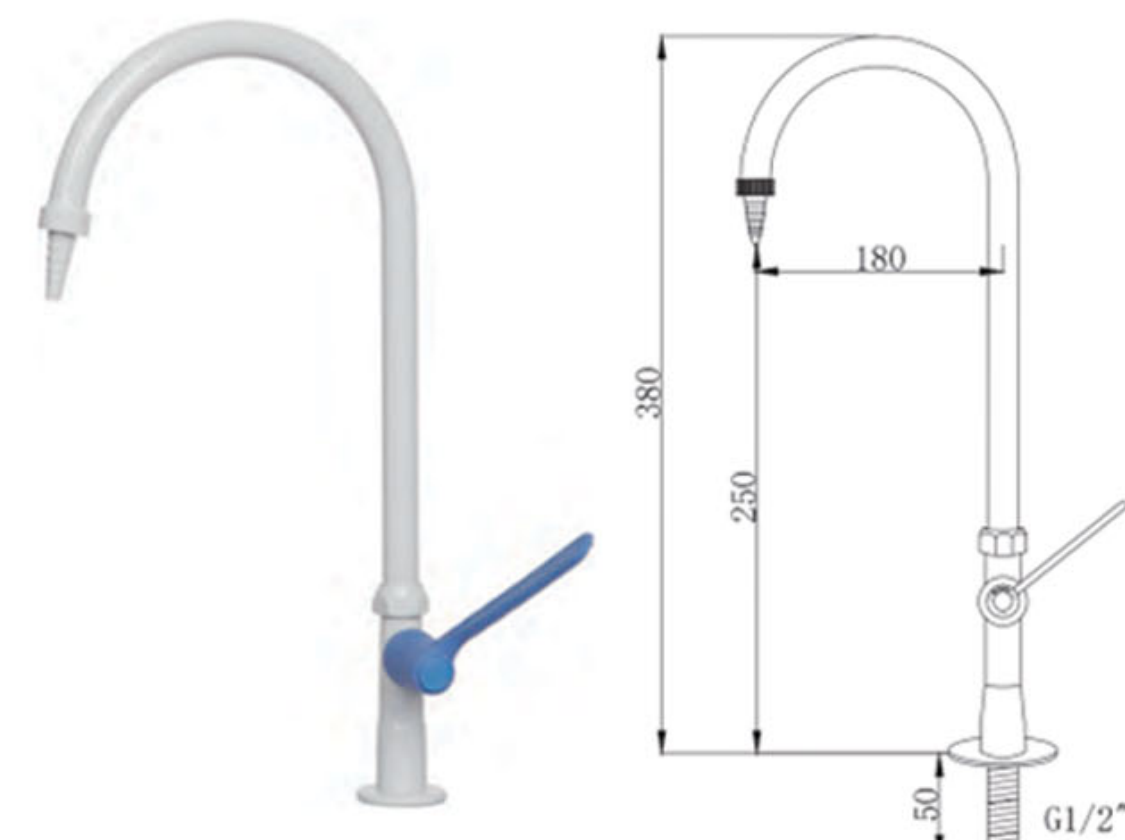


WF-07
Double Faucet, Deck Mounted,
U-Shaped, Wrist Blade Lever

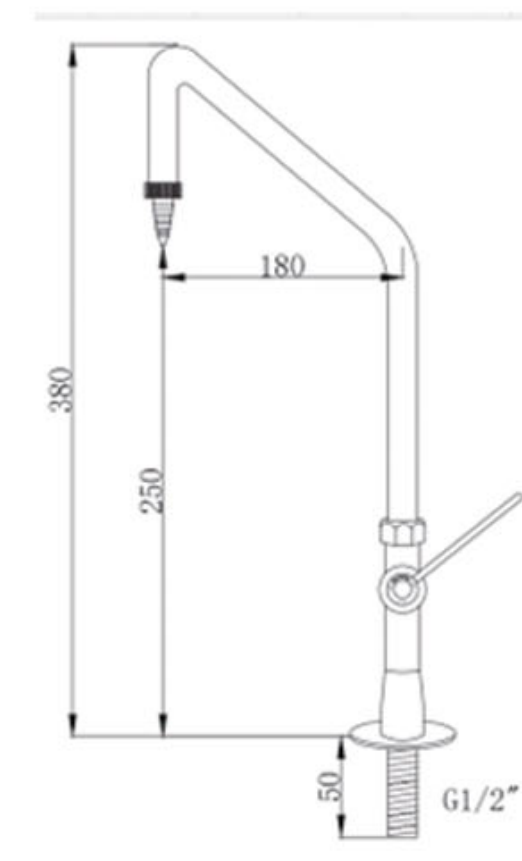
SINGLE FAUCET



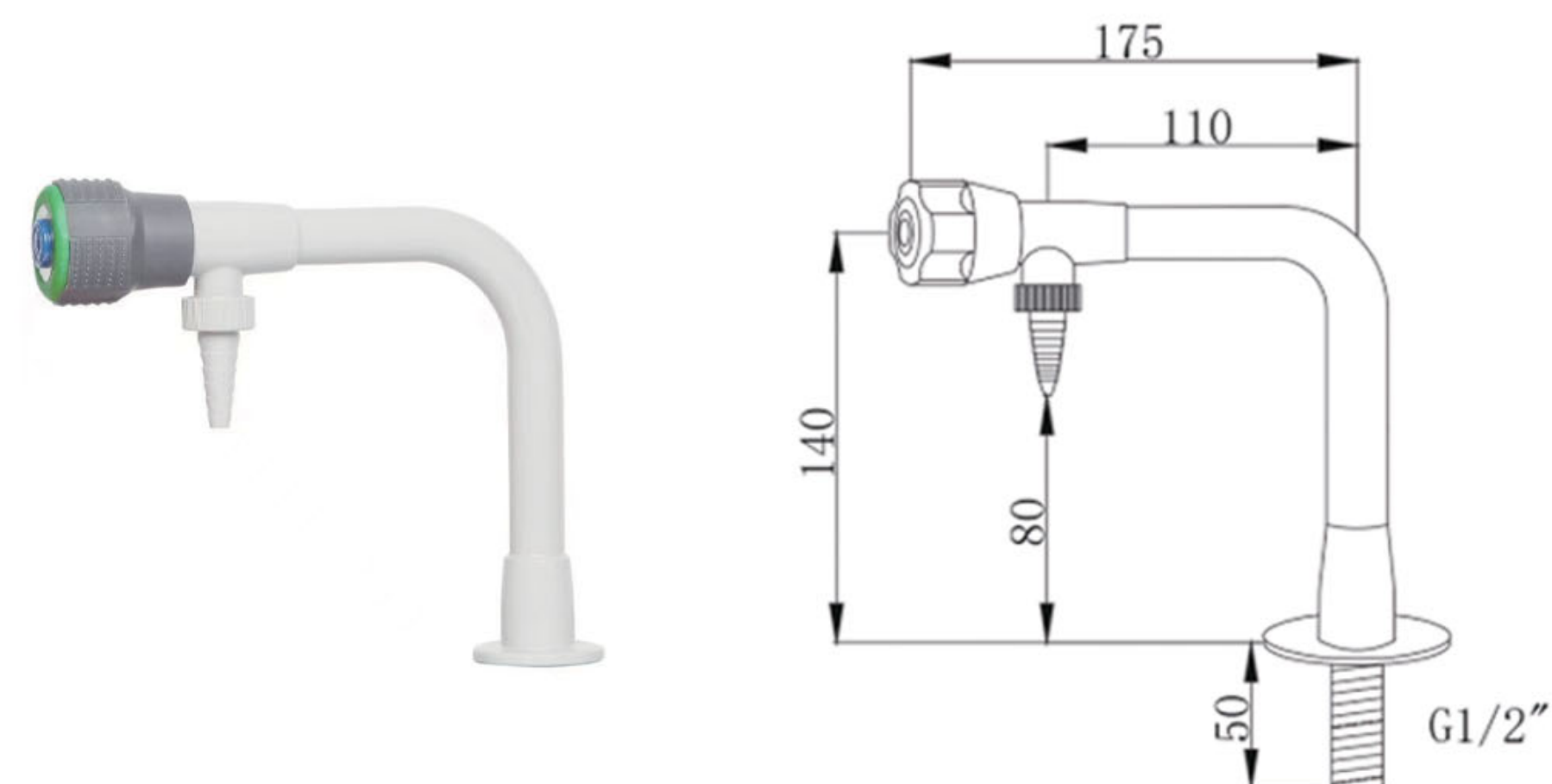
WF-01
Single Faucet, Deck Mounted
Swing Gooseneck



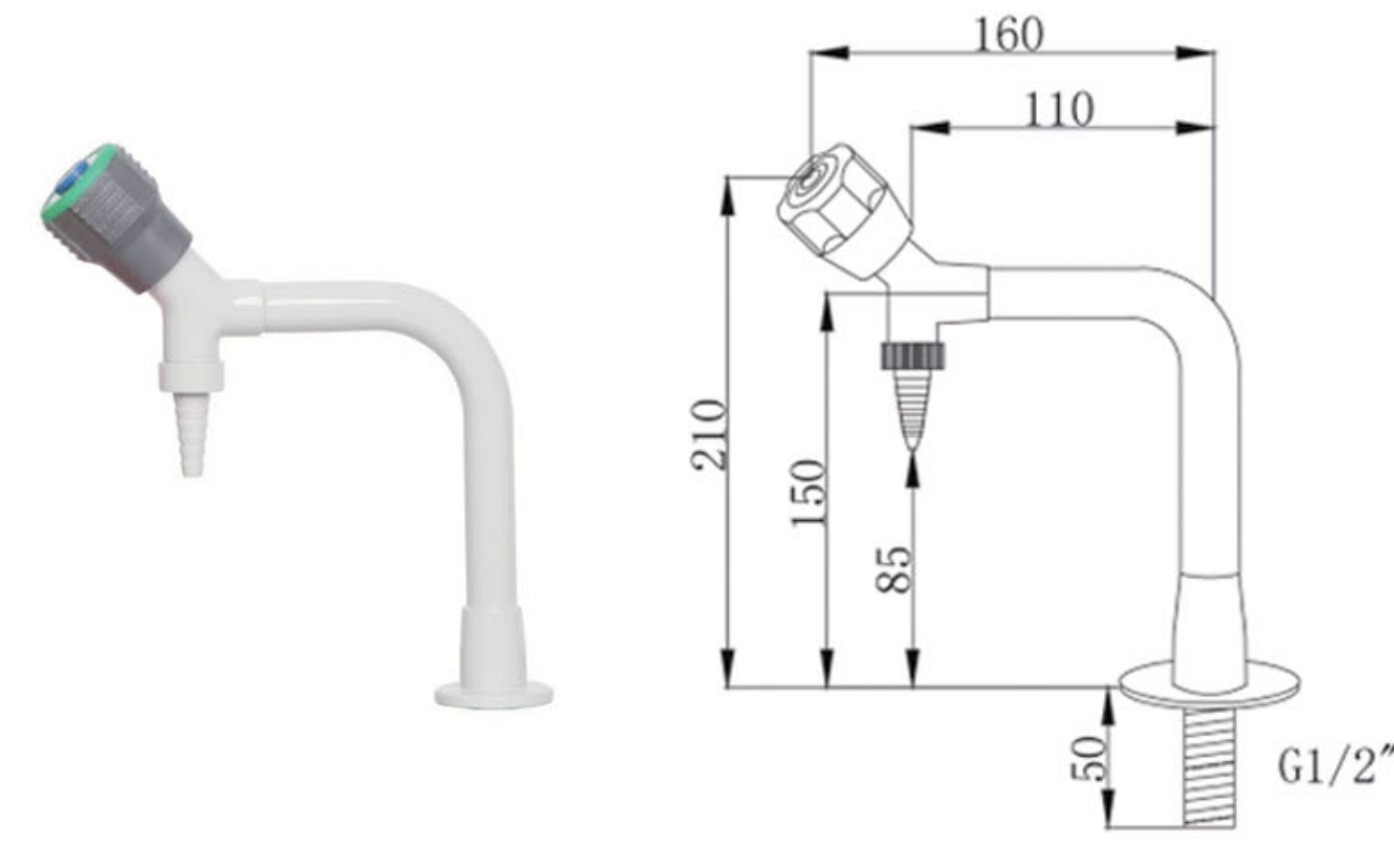
WF-02
Single Faucet, Deck Mounted,
Swing Gooseneck, Wrist Blade Lever



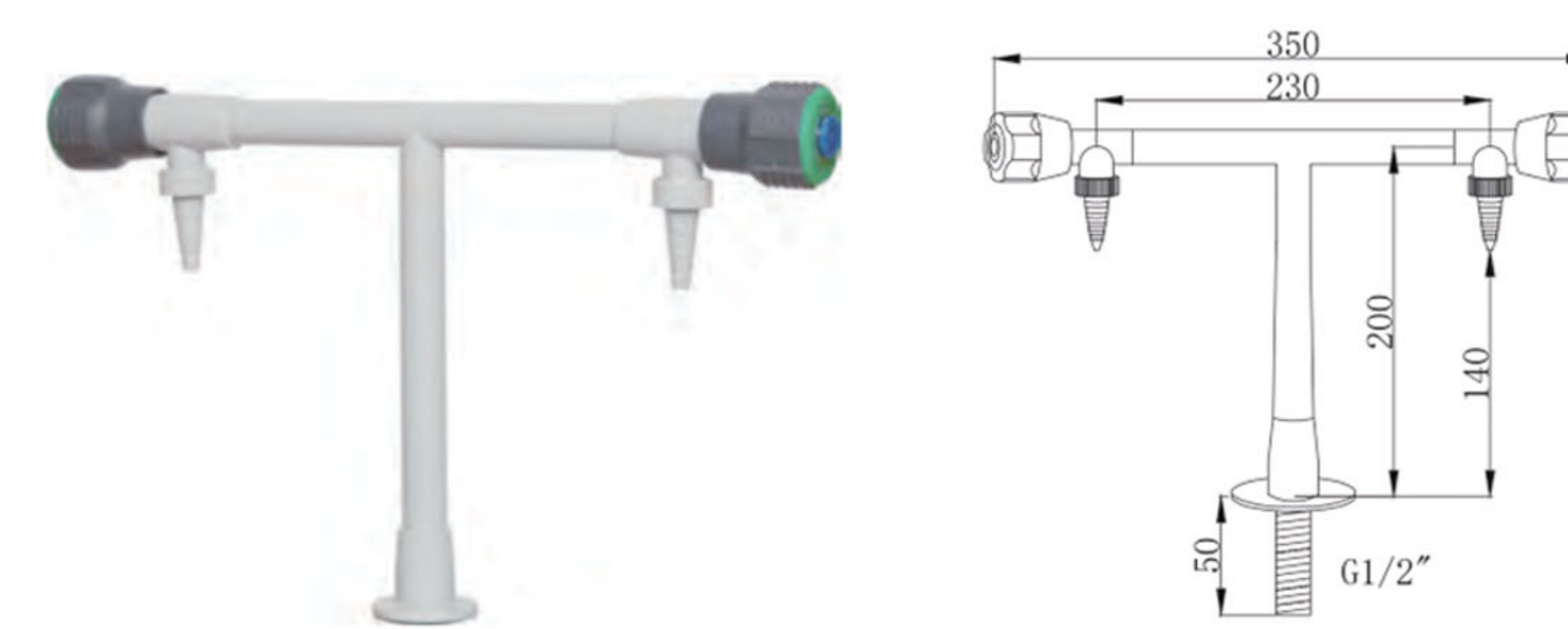
WF-03
Single Faucet, Deck Mounted,
Swing Angled Neck



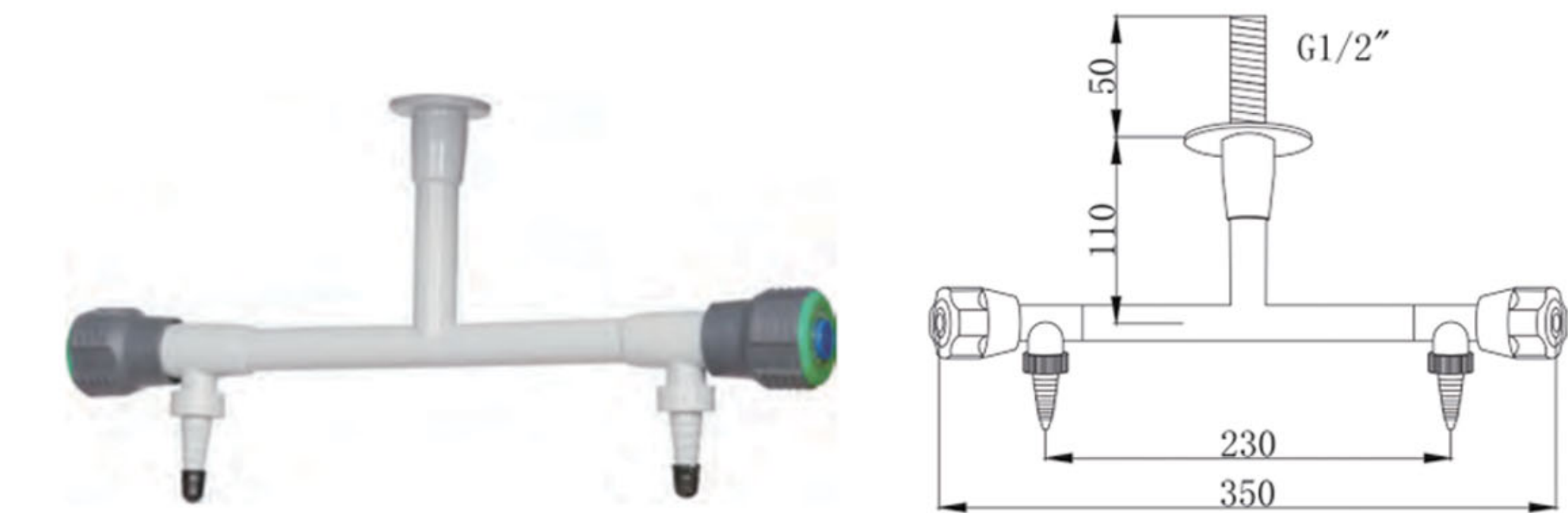
WF-04
Single Faucet, Deck Mounted



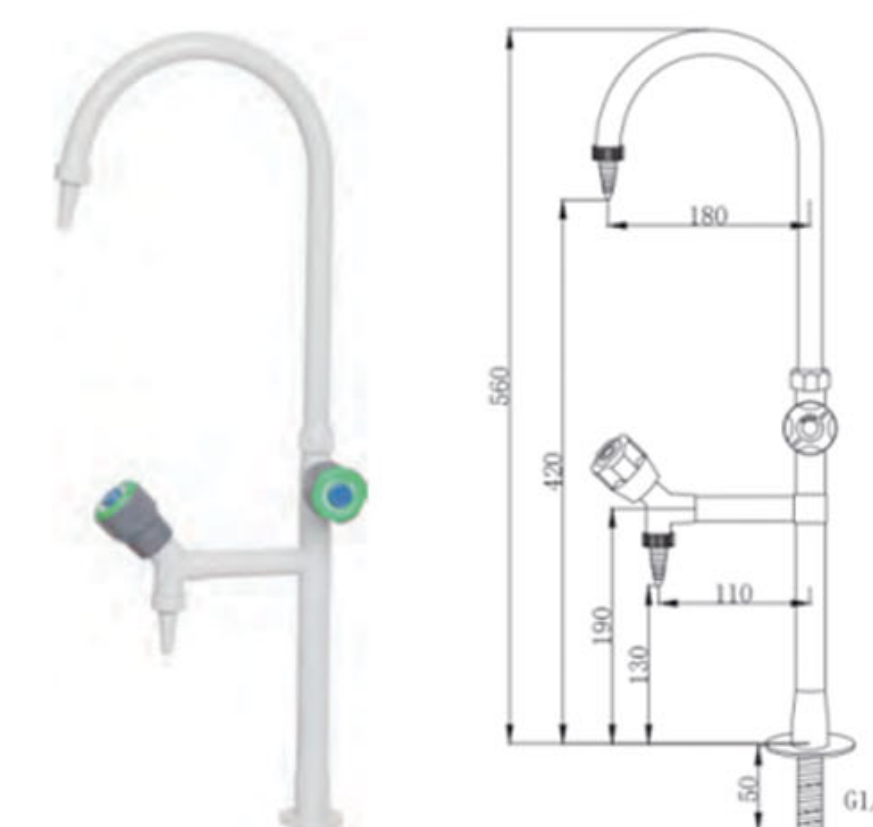
WF-05
Single Faucet, Deck Mounted



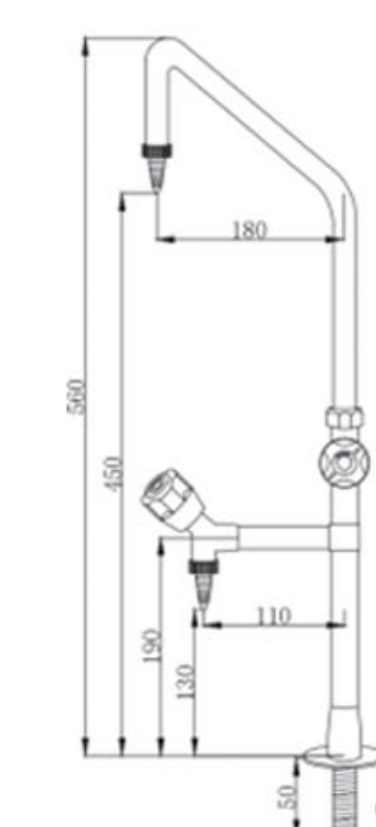
WF-08
Double Faucet, Deck Mounted, U-Shaped



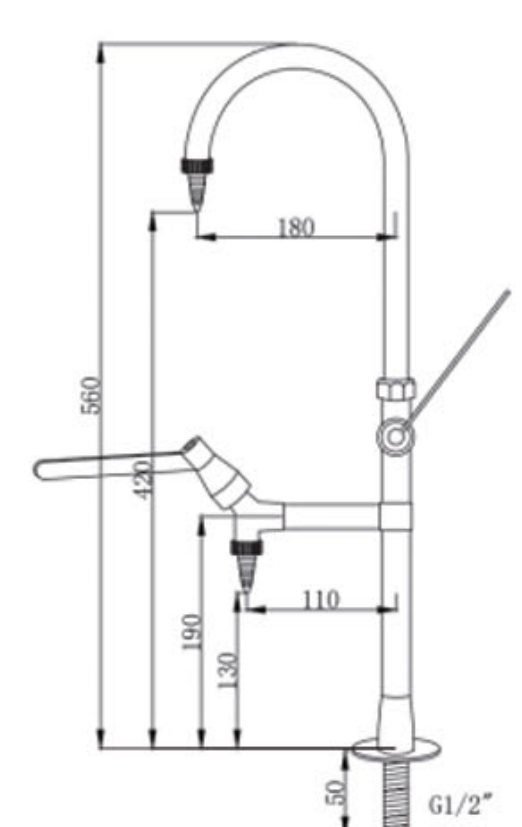
WF-09
Double Faucet, Suspended



WF-10
Double Faucet, Deck Mounted, Swing Gooseneck



WF-11
Double Faucet, Deck Mounted,
Swing Angled Neck



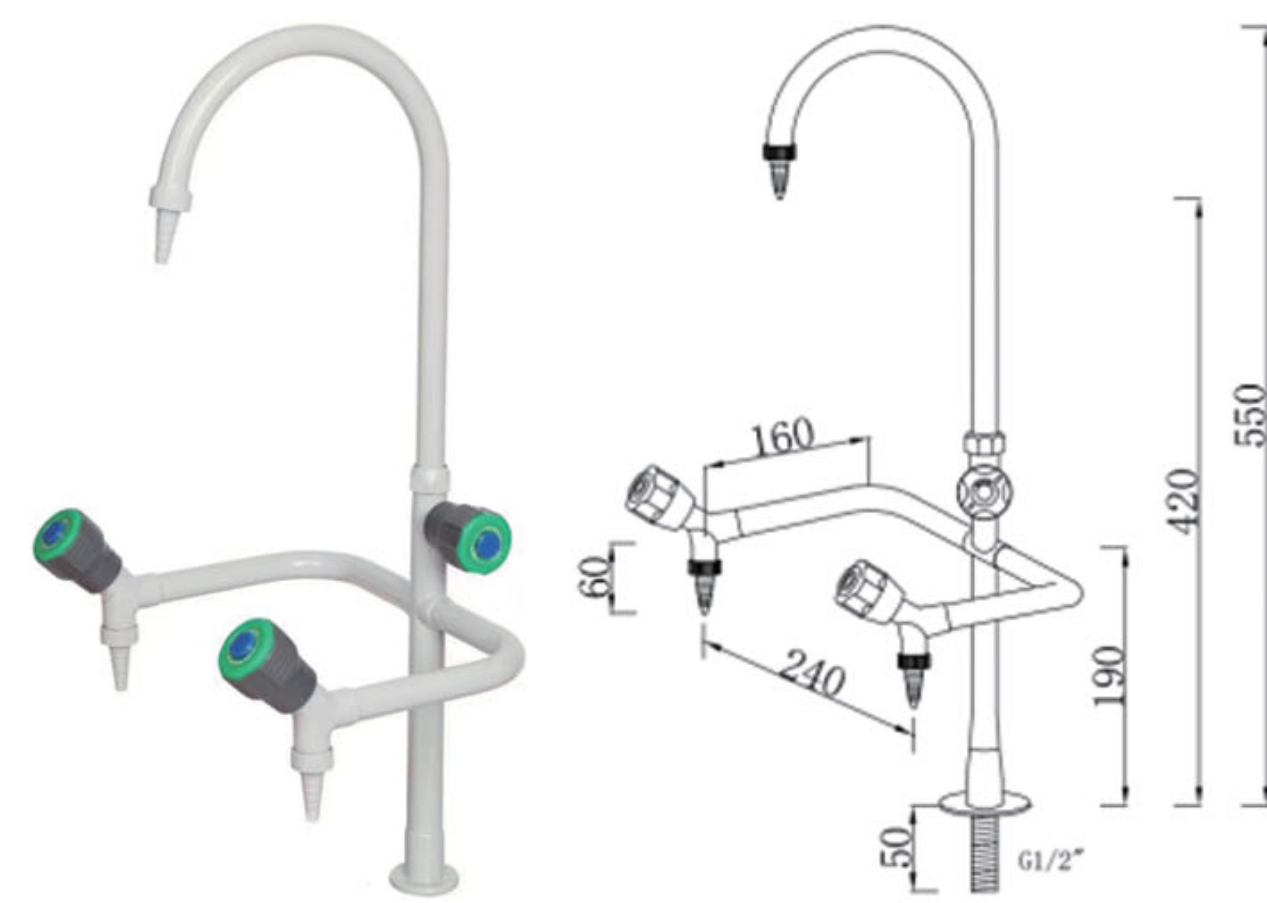
WF-12
Double Faucet, Deck Mounted,
Swing Gooseneck, Wrist Blade Lever

WATER FAUCETS



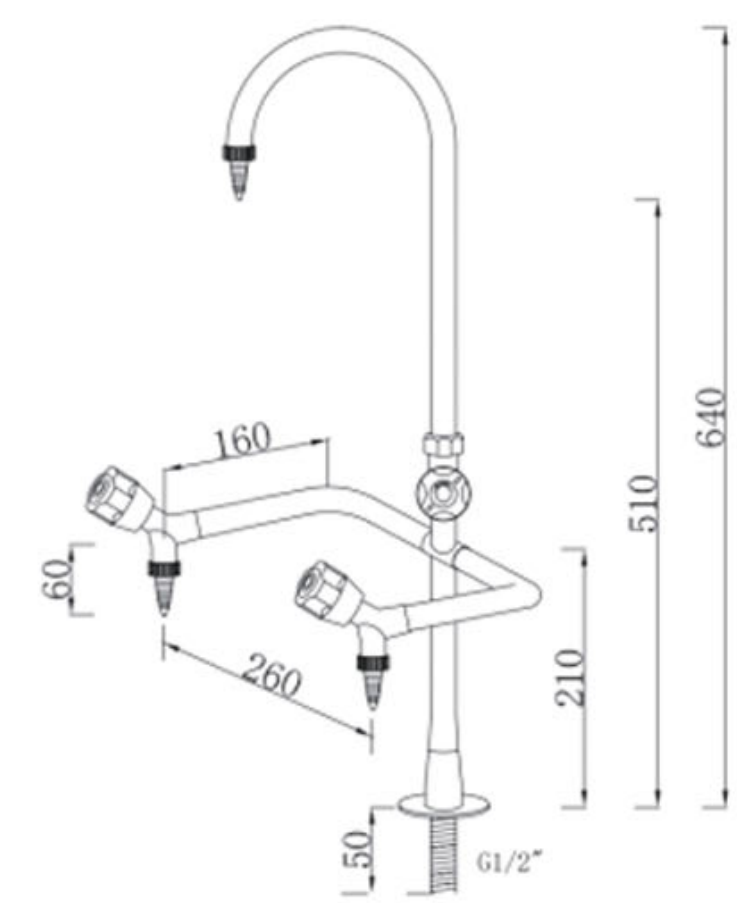
GUANGZHOU MAX LABORATORY EQUIPMENT CO.,LTD.

TRIPLE FAUCET



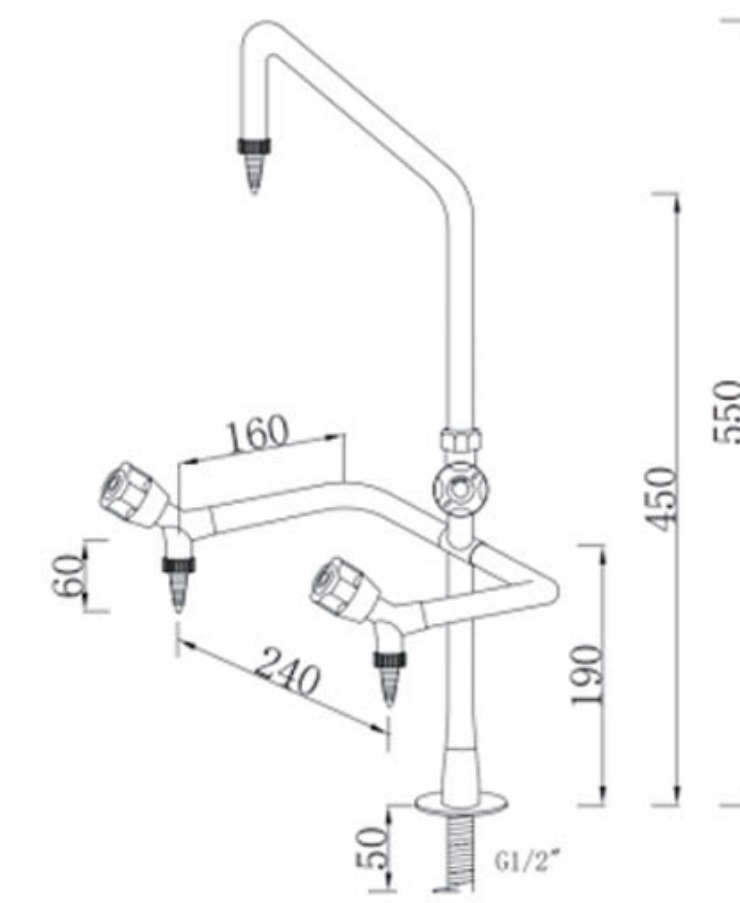
WF-13

Triple Faucet, Deck Mounted, Swing Gooseneck



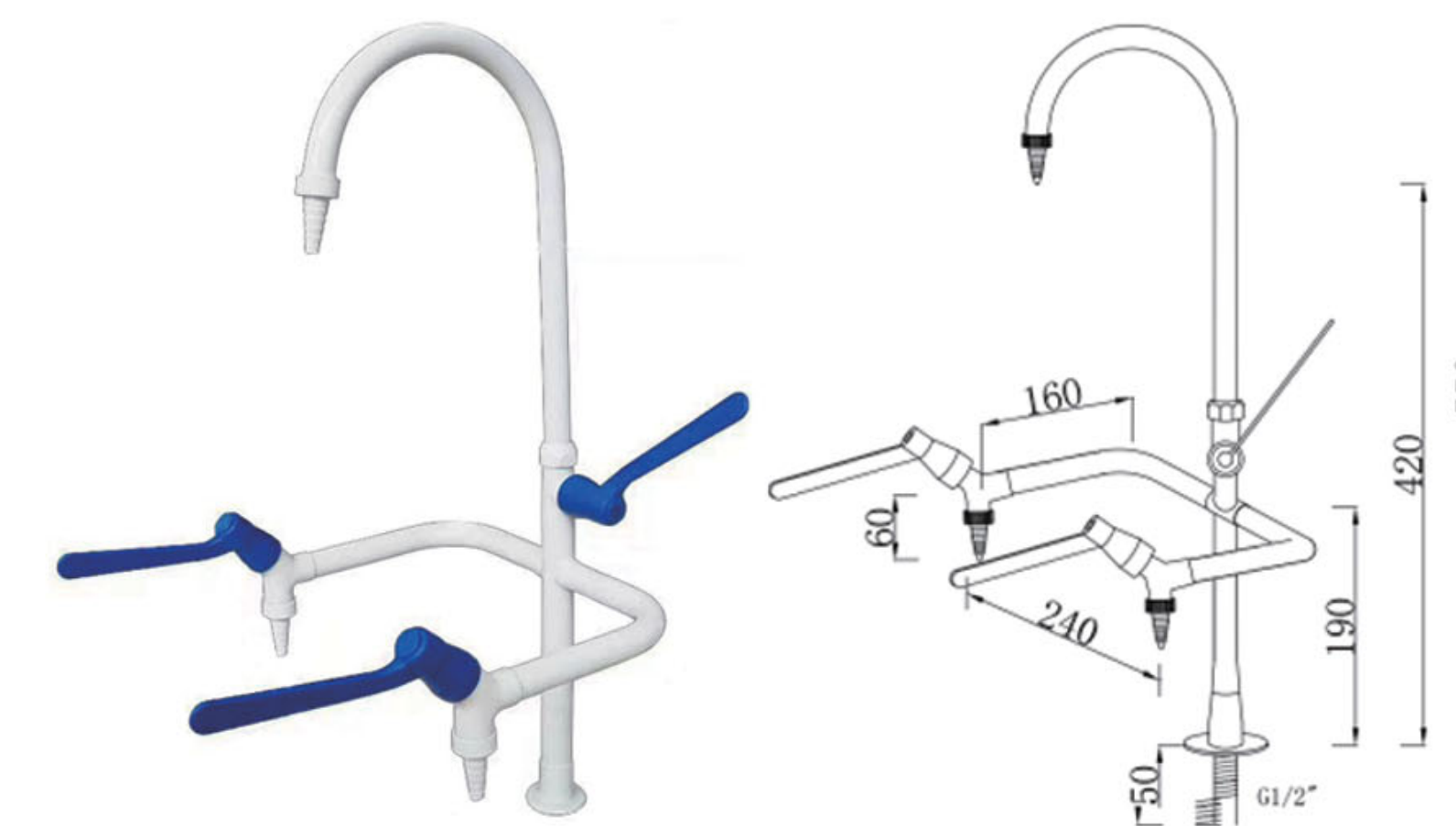
WF-14

Triple Faucet, Deck Mounted, Swing Gooseneck (Suitable for large ware cleansing combined with sinks.)



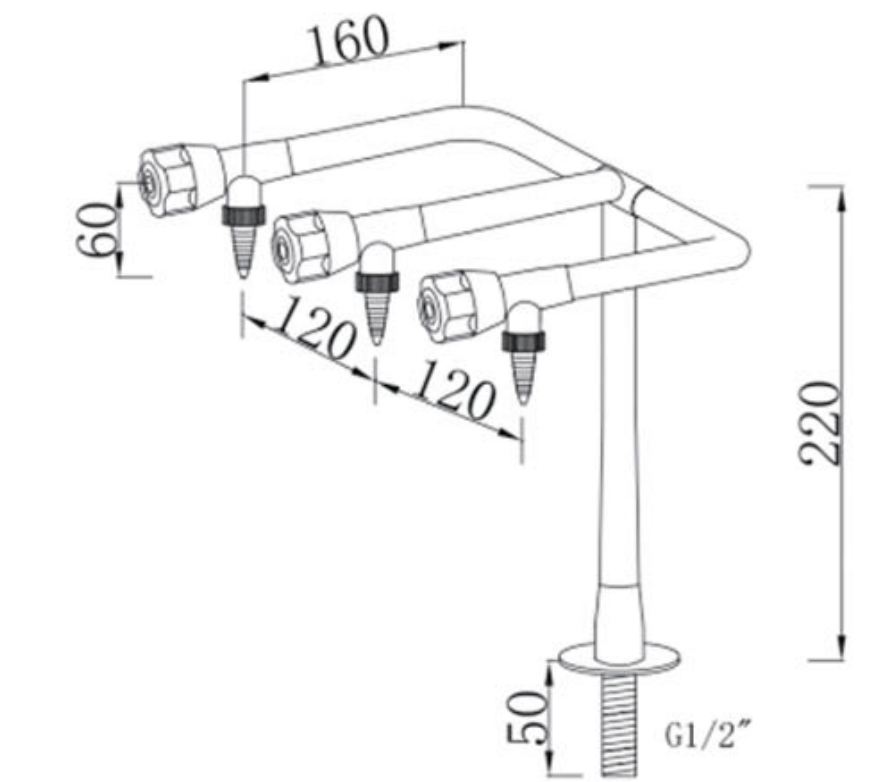
WF-15

Triple Faucet, Deck Mounted, Swing Angled Neck



WF-16

Triple Faucet, Deck Mounted, Swing Gooseneck, Wrist Blade Lever



WF-17

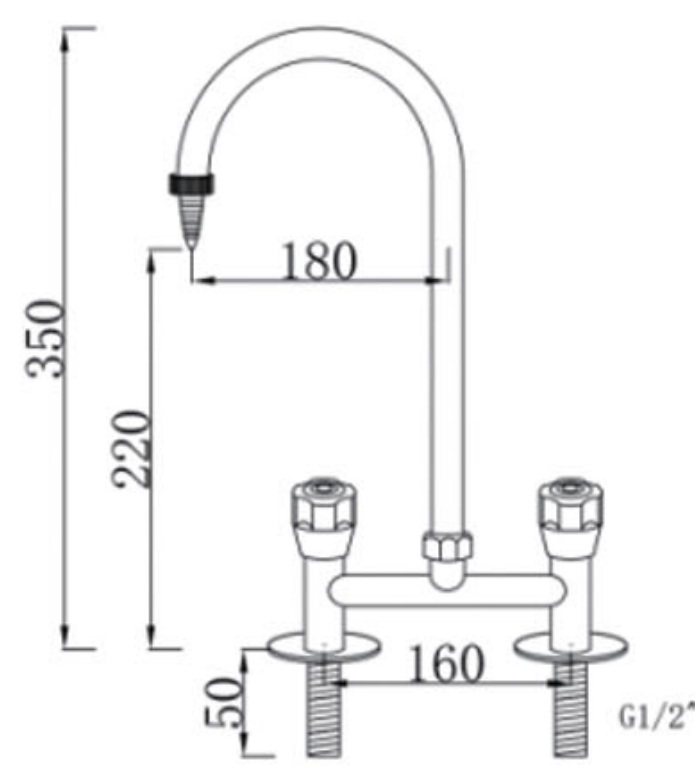
Triple Faucet, Deck Mounted, M-Shaped

MIXING FAUCET



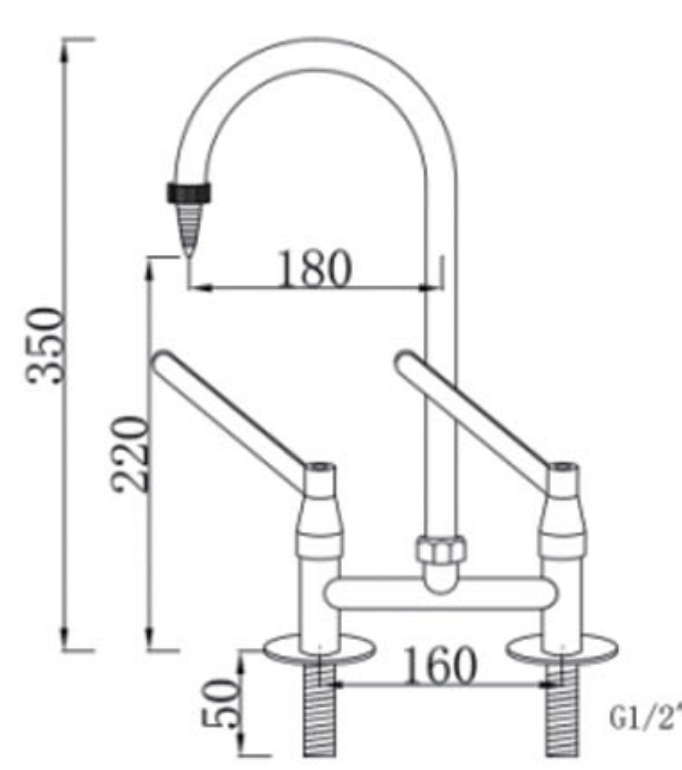
WF-18

Single Mixing Faucet, Deck Mounted, Swing Gooseneck



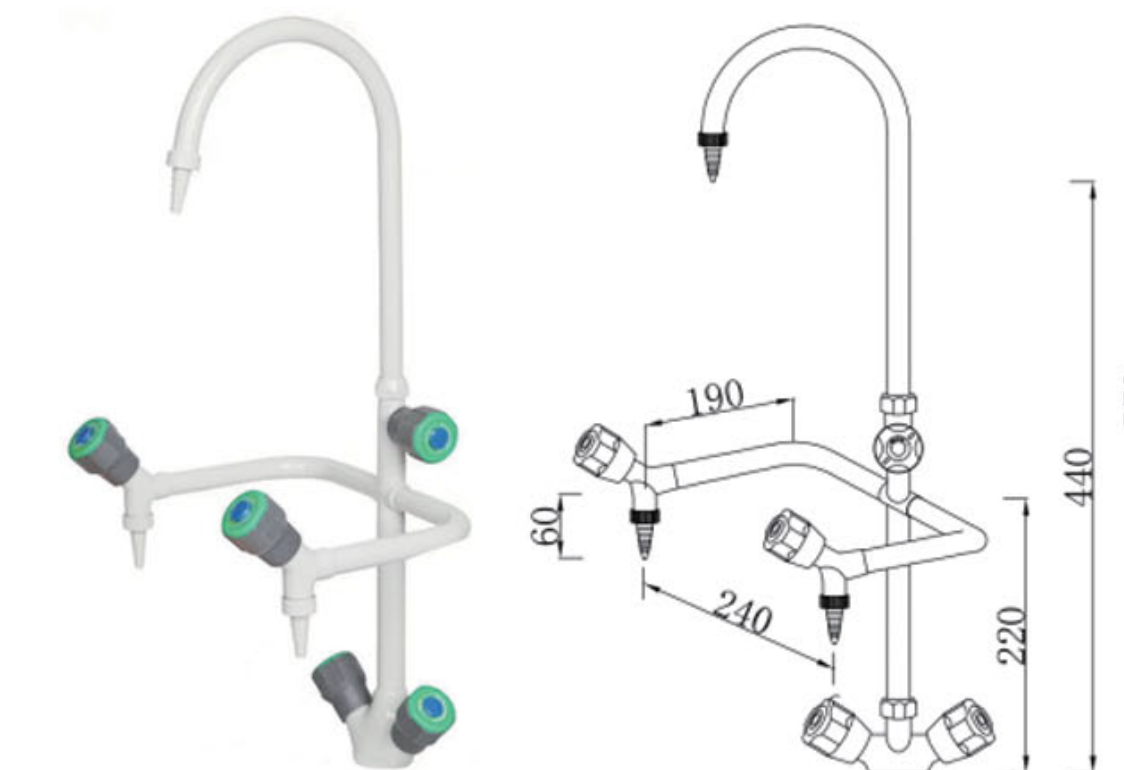
WF-19

Single Mixing Faucet, Deck Mounted, Swing Gooseneck



WF-20

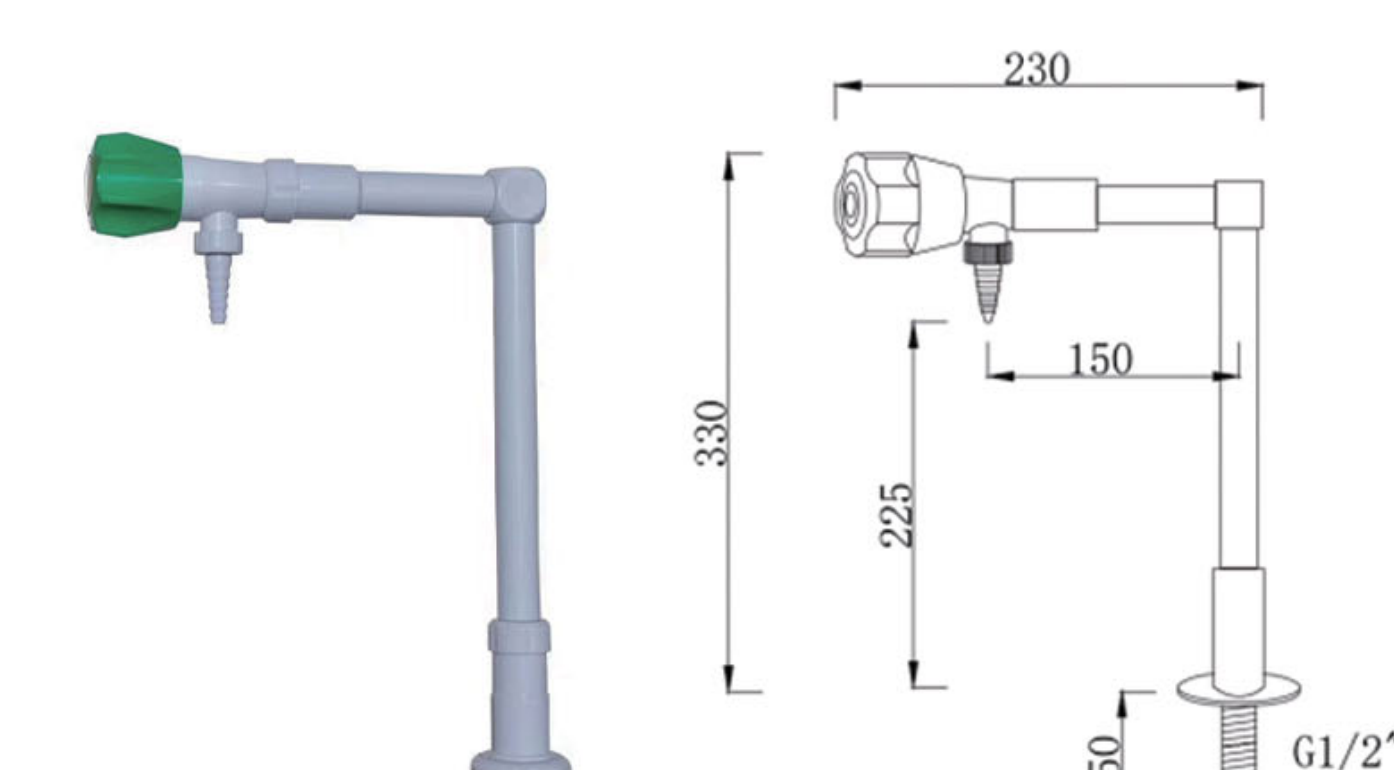
Single Mixing Faucet, Deck Mounted, Swing Gooseneck, Wrist Blade Lever



WF-21

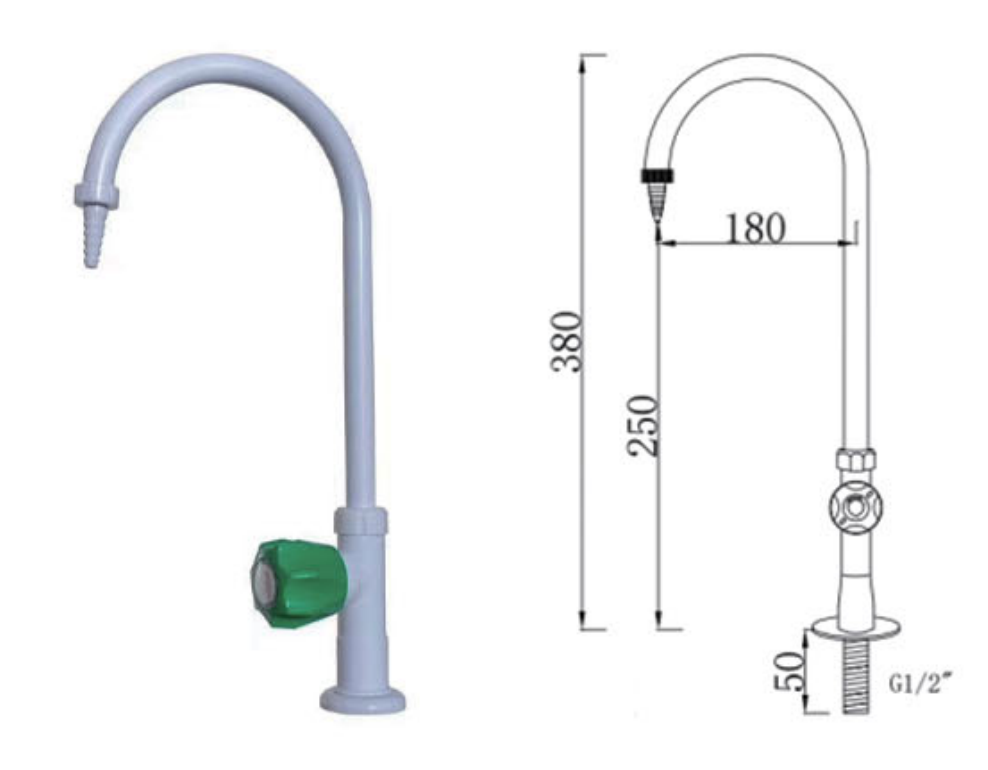
Triple Mixing Faucet, Deck Mounted, Swing Gooseneck

PURE WATER FAUCET



WF-22

Pure Water Faucet, Deck Mounted



WF-23

Pure Water Faucet, Deck Mounted, Swing Gooseneck

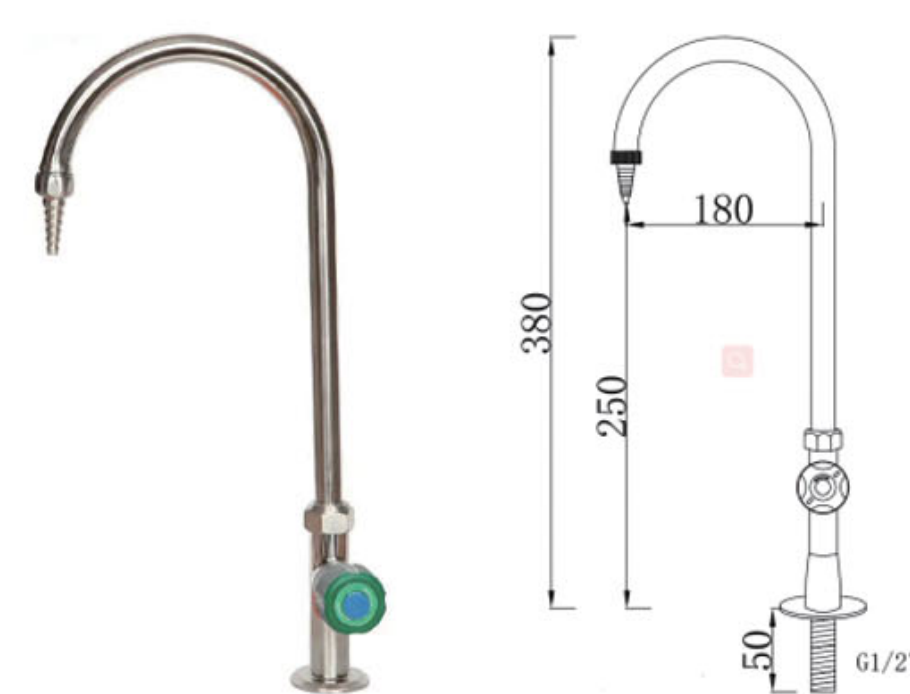
SENSOR FAUCET



WF-24

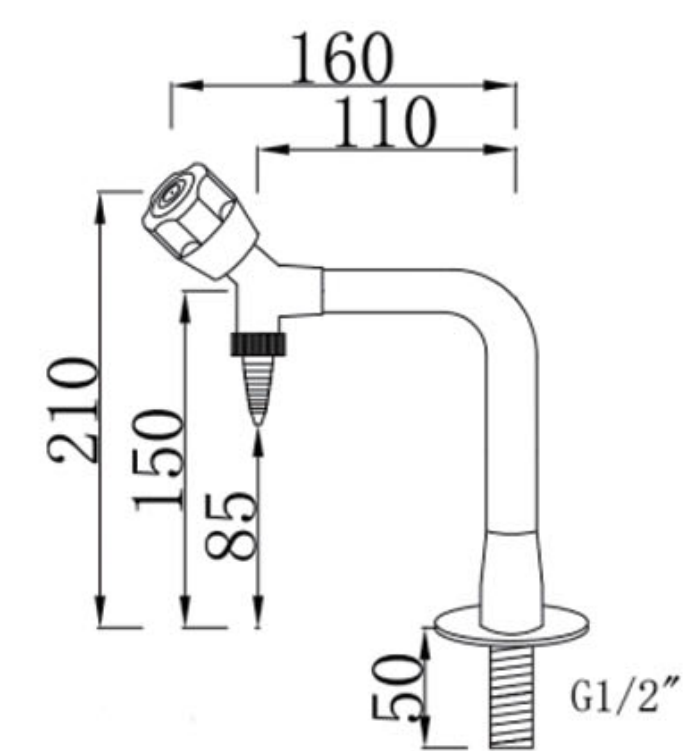
Sensor Faucet, Deck Mounted, Swing Gooseneck

STAINLESS STEEL FAUCET



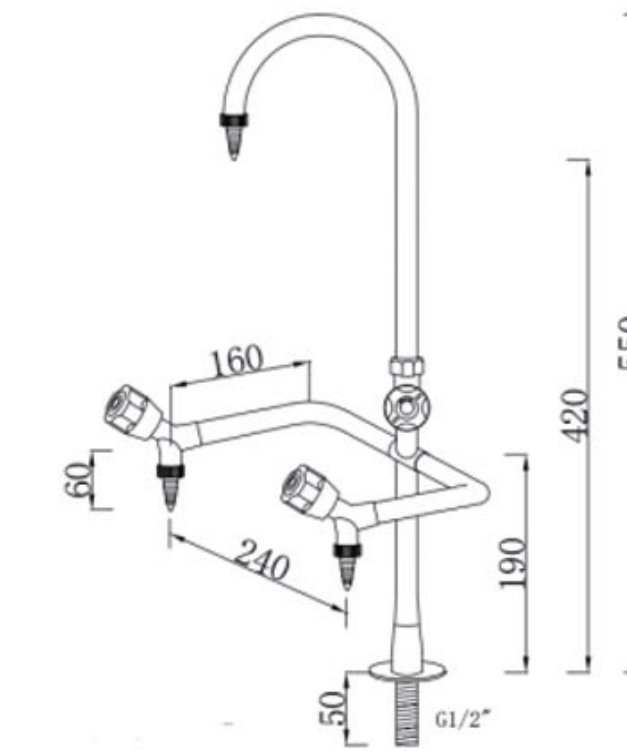
WF-25

Single Faucet, Deck Mounted, Swing Gooseneck, 304 SS



WF-26

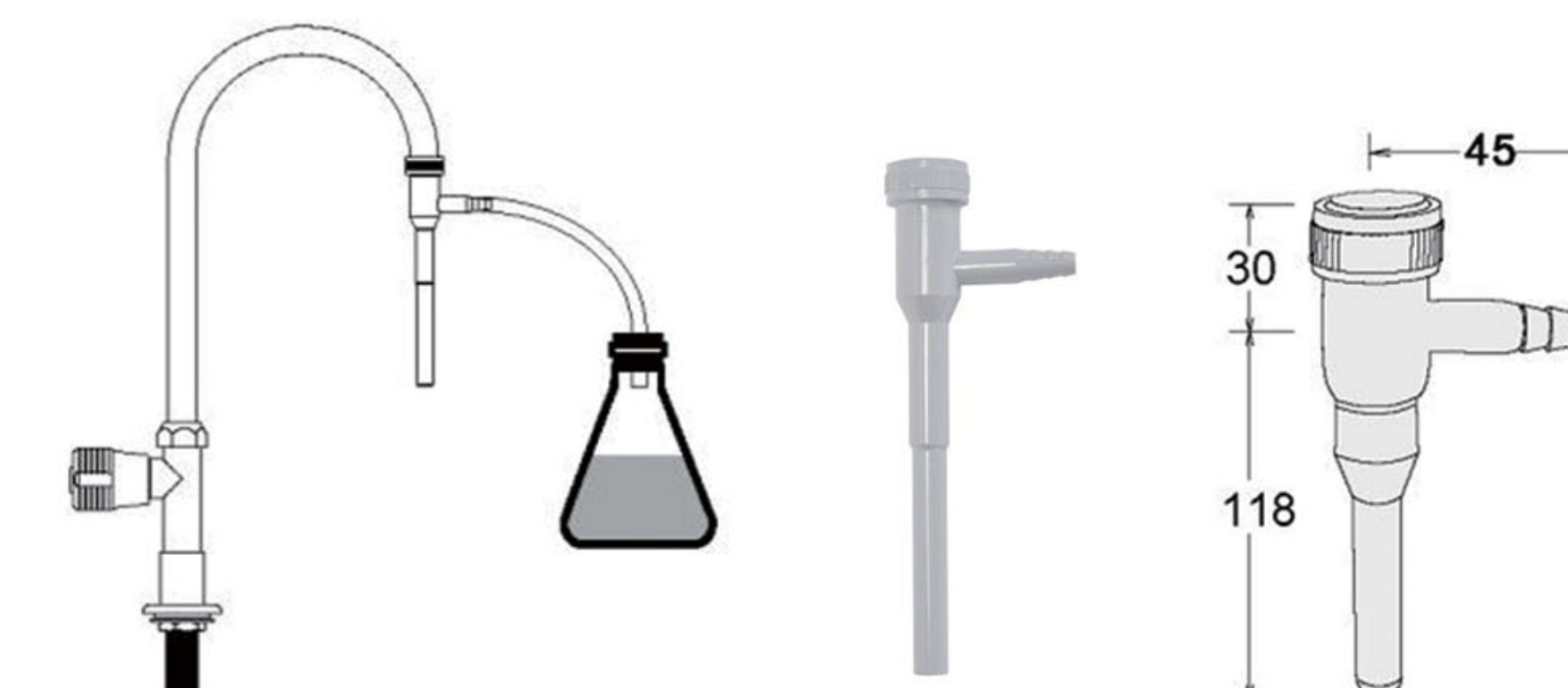
Single Faucet, Deck Mounted, 304 SS



WF-27

Triple Faucet, Deck Mounted, Swing Gooseneck, 304 SS

ACCESSORIES



Vacuum Pump, Venturi hose



Filter

GAS FAUCETS

Body: Thickened Solid Brass

Coating: High gloss epoxy powder, resistant to most chemicals, UV fading&heat

Valve Unit: Ceramic headwork, 90° turn, 500,000 life cycles

Nozzle: Detachable brass or PP nozzle.

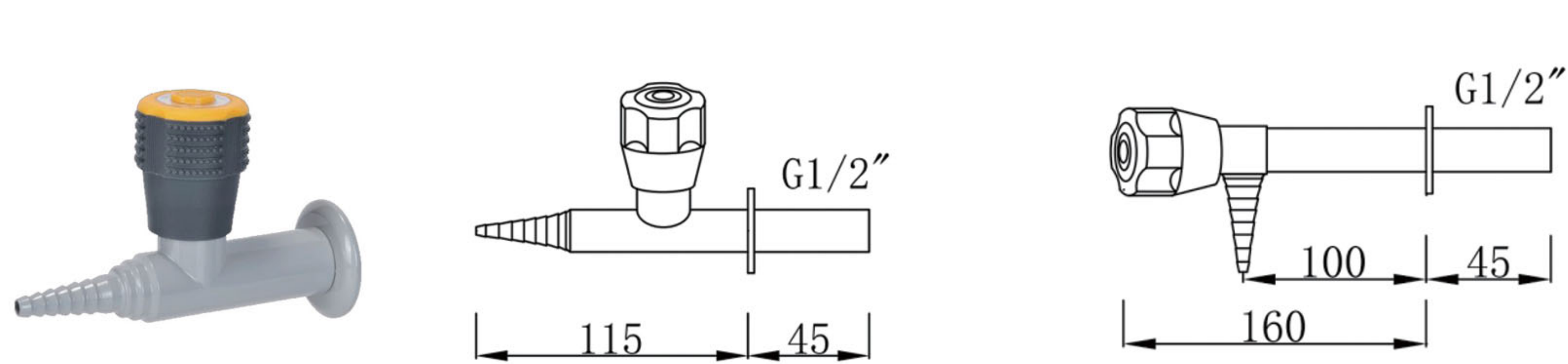
Knob: High grade PP, ergonomic design and resistant to chemicals

Operating Mode: Turn

Testing pressure: 17 bar/1700 Kpa

Rated pressure: 10 bar/1000 Kpa

Durable and no breakage.



GF-01

Single Gas Valve, Panel Mounted

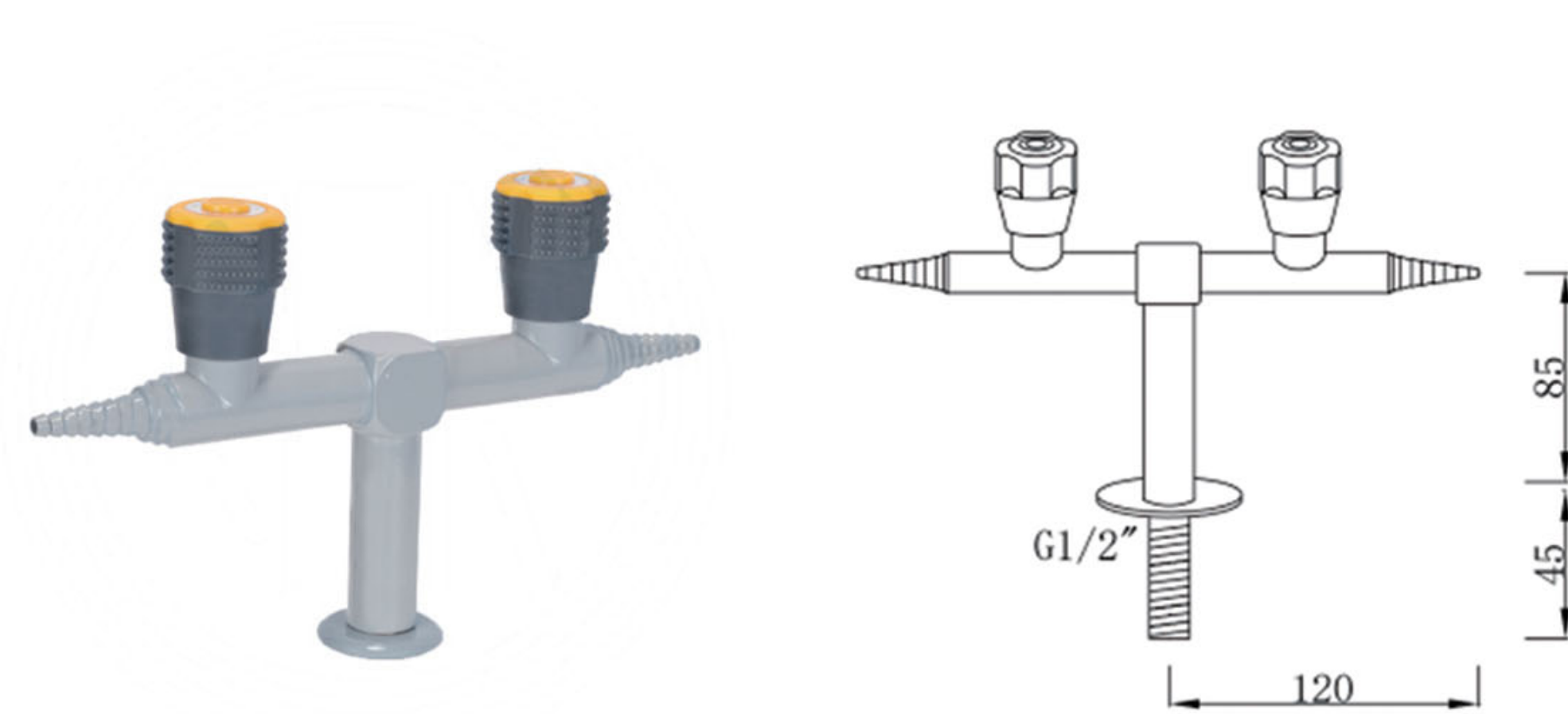


GF-02

Single Gas Valve, Panel Mounted

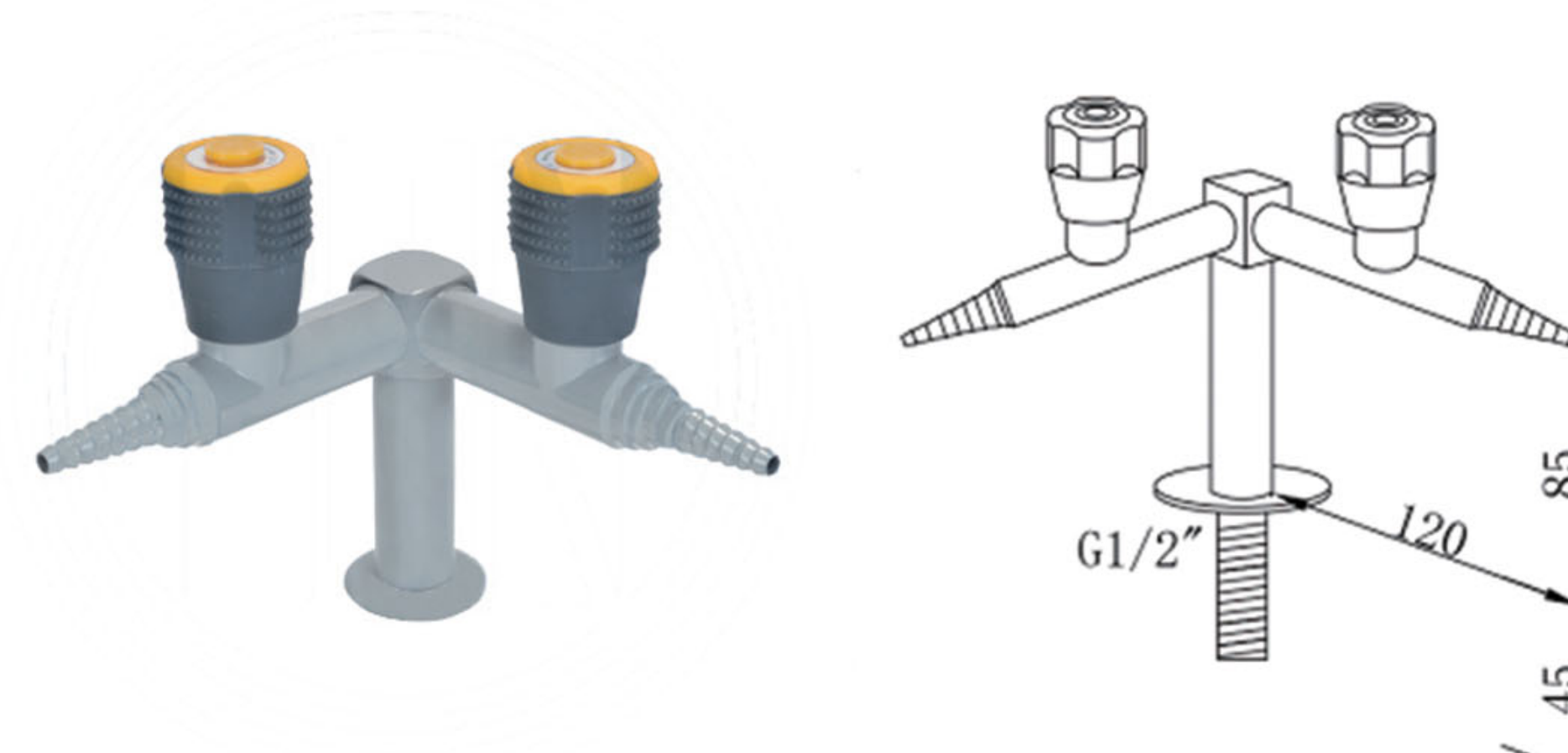
GF-03

Single Gas Valve, Deck Mounted



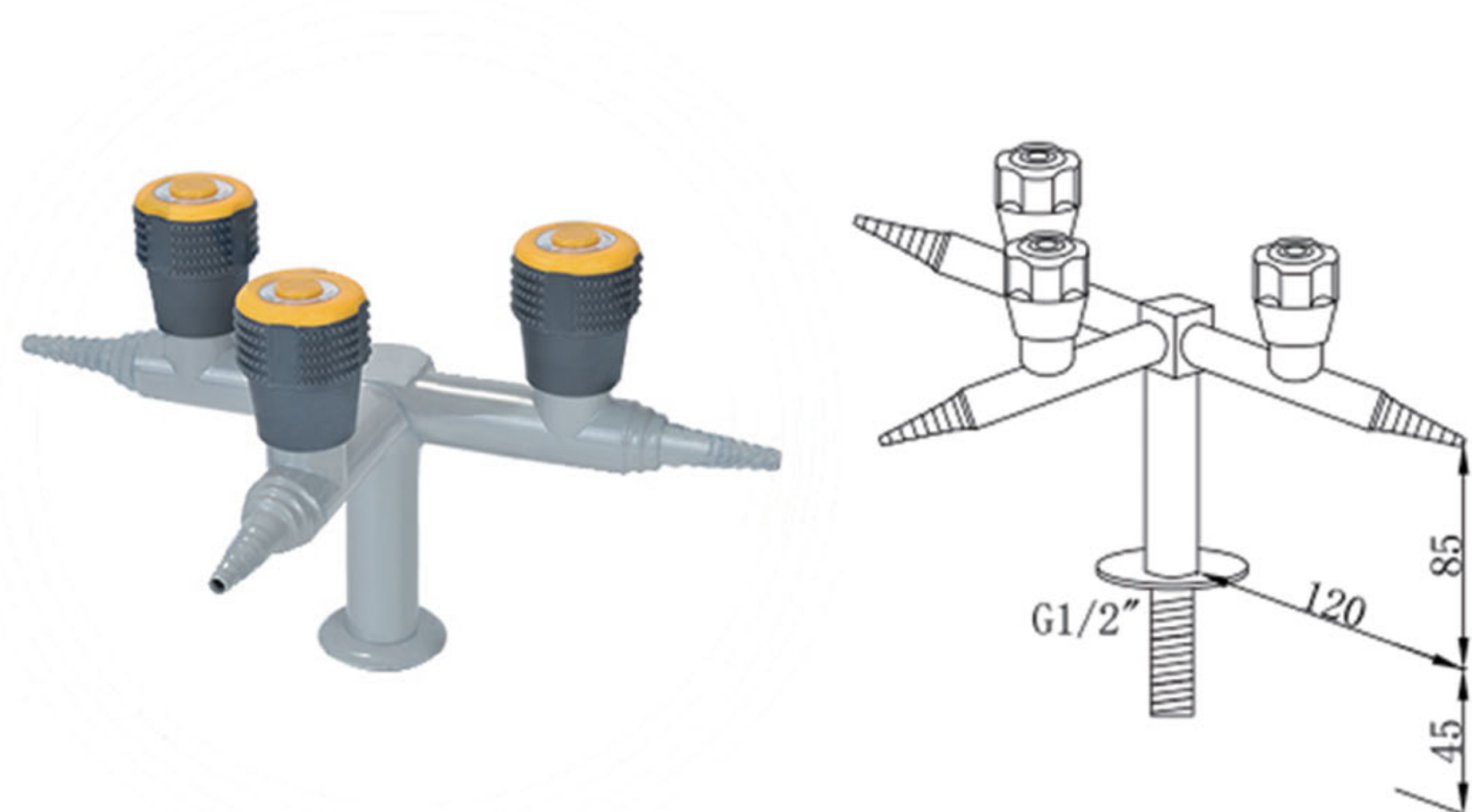
GF-04

Double Gas Valve, Deck Mounted, 180°



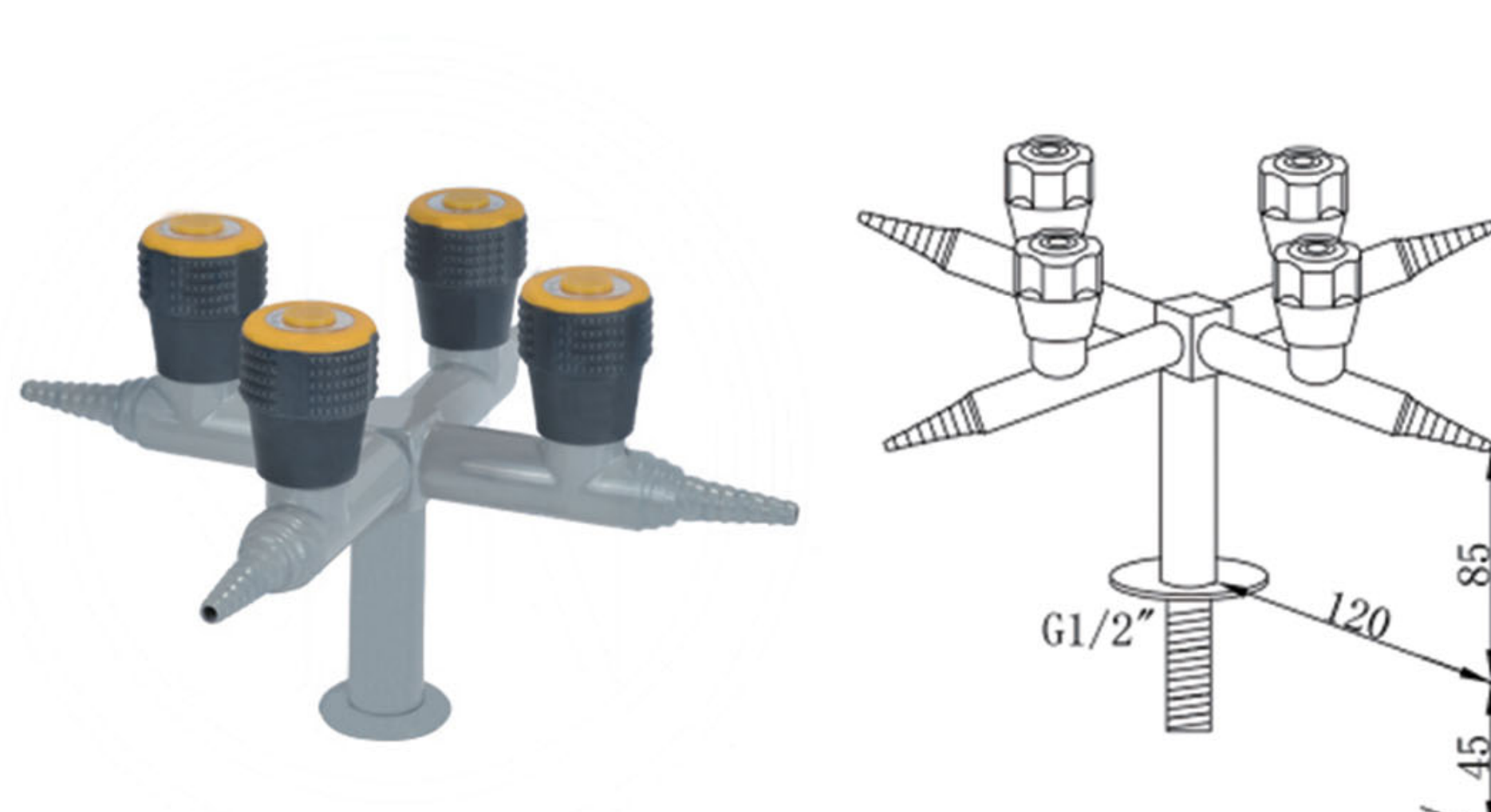
GF-05

Double Gas Valve, Deck Mounted, 90°



GF-06

Triple Gas Valve, Deck Mounted



GF-07

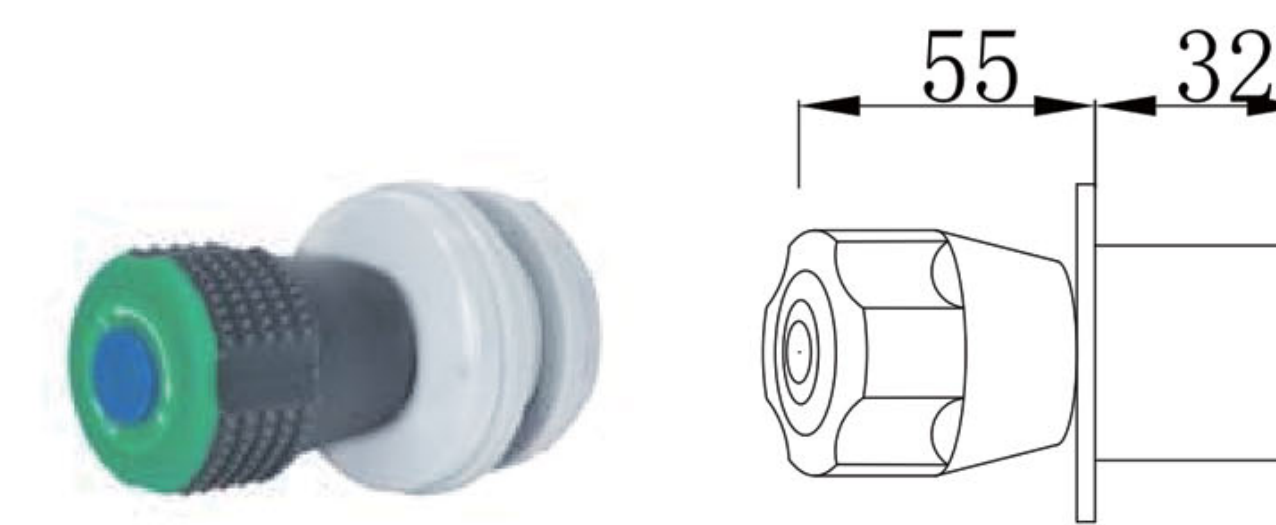
Quadruple Gas Valve, Deck Mounted

REMOTE CONTROLS



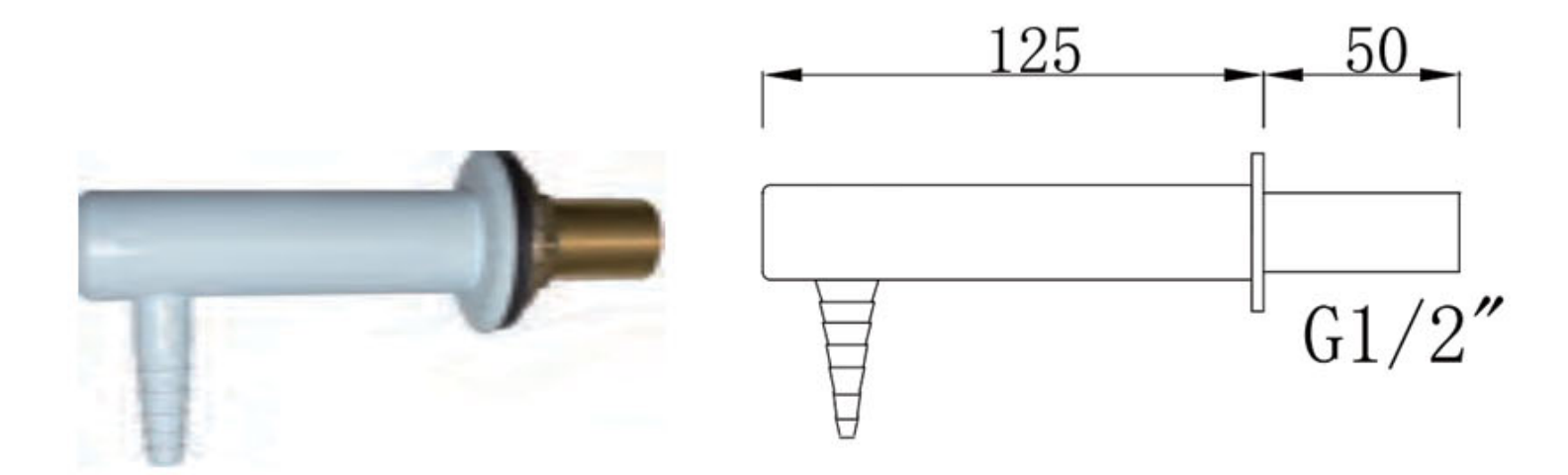
Split-type remote control valve is easy for maintenance.

Allows remove the valve in front of the fume hood.



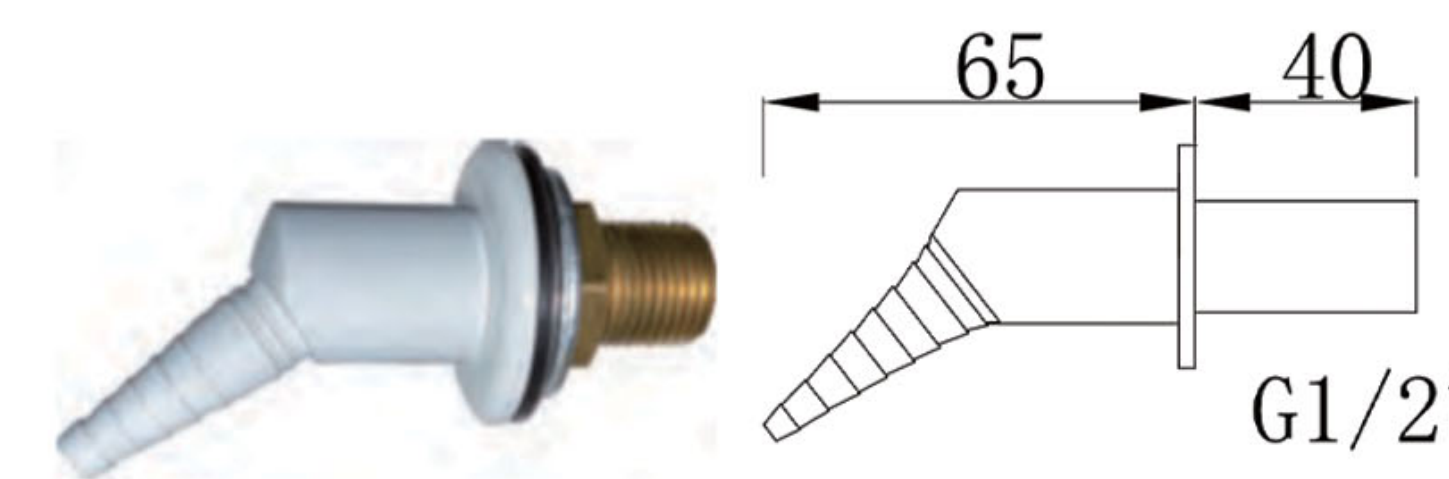
RC-01

Water Valve, Panel Mounted



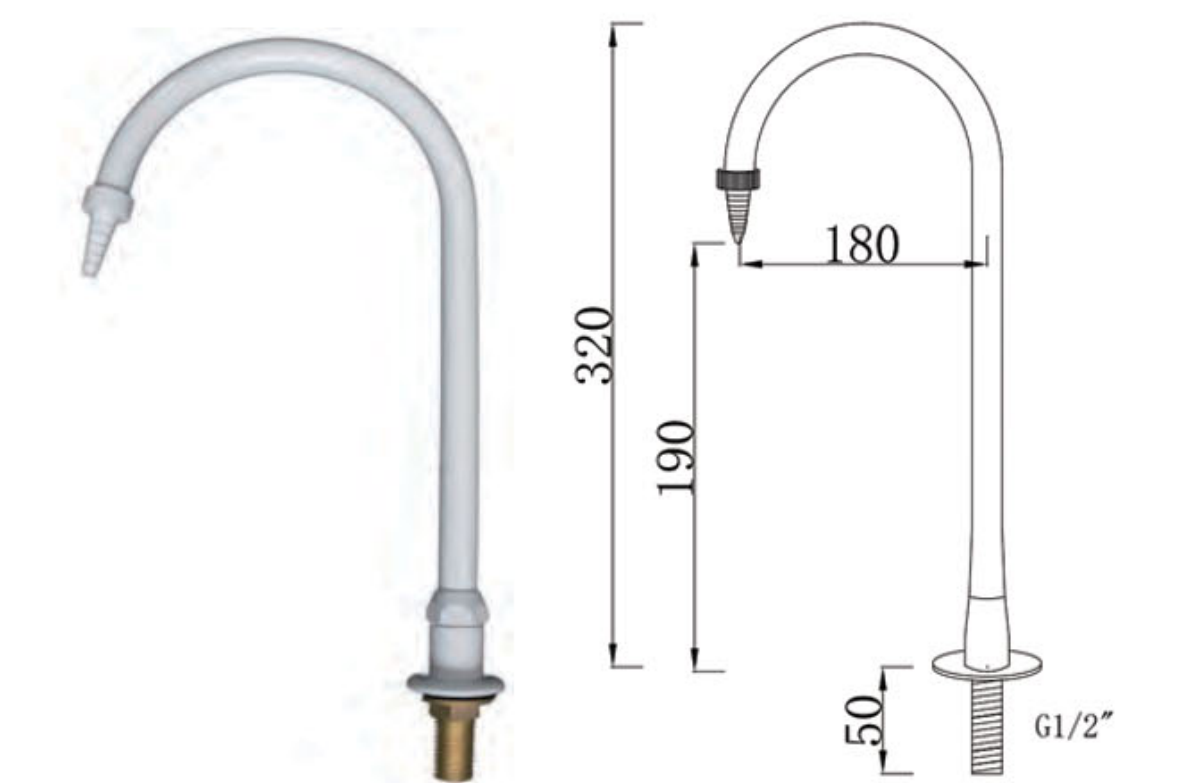
RC-02

Outlet Fitting, Water, Panel Mounted, 90°



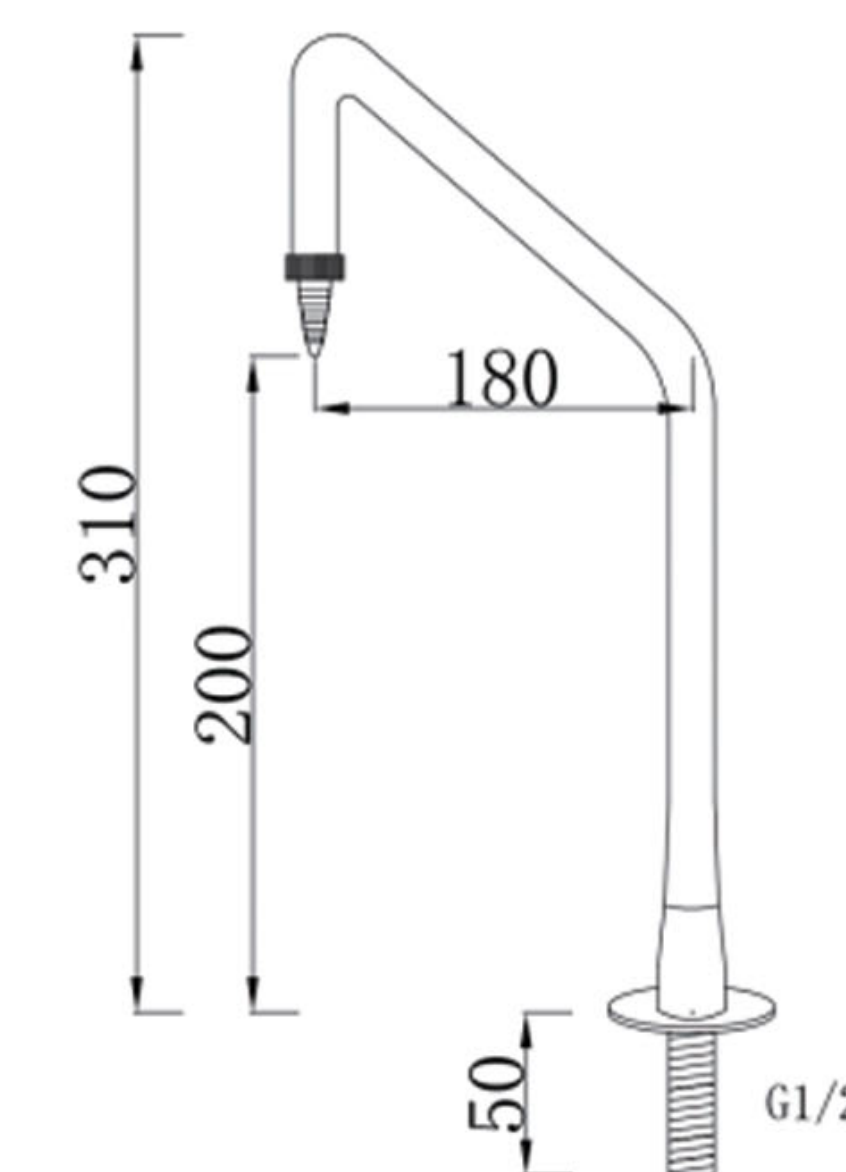
RC-03

Outlet Fitting, Water, Panel Mounted, 45°



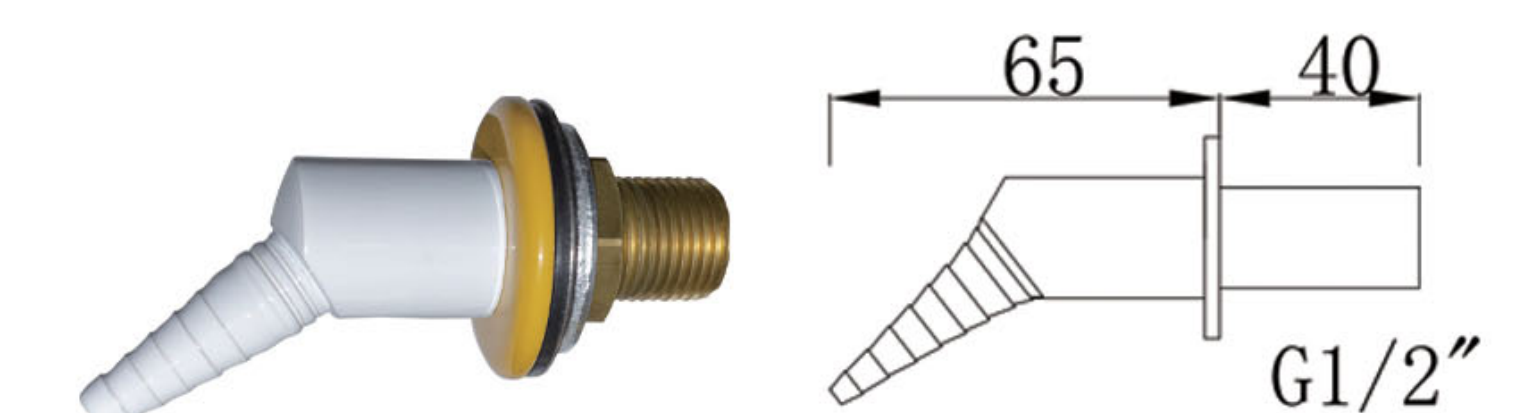
RC-04

Outlet Fitting, Water, Deck Mounted, Swing Gooseneck



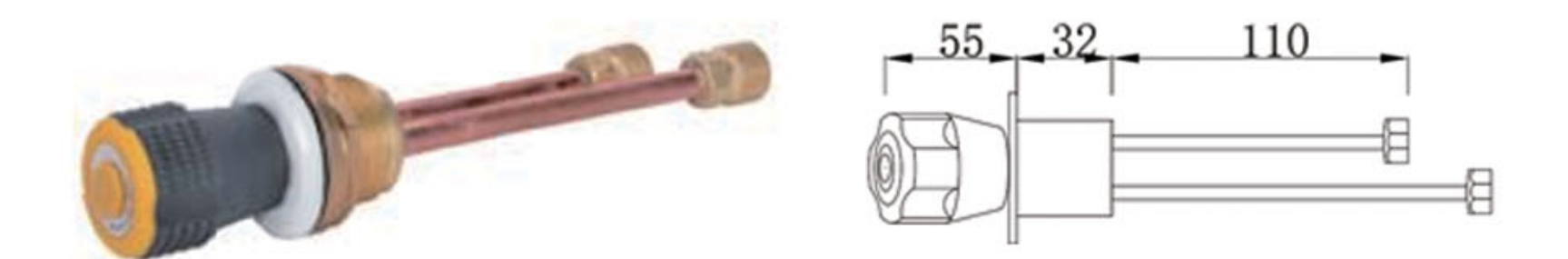
RC-05

Outlet Fitting, Water, Deck Mounted, Swing Angled Neck



RC-06

Outlet Fitting, Gas, Panel Mounted, 45°



RC-07

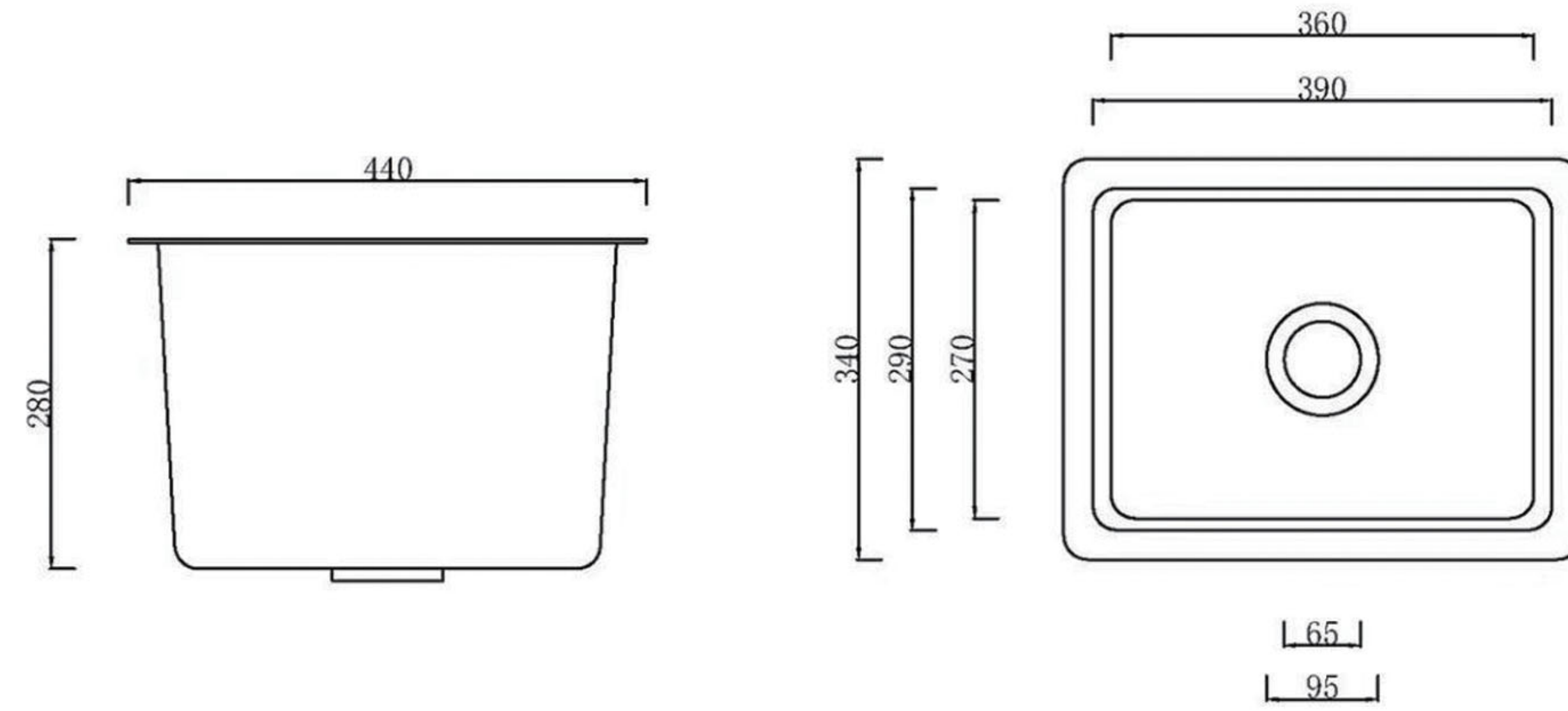
Gas Valve, Panel Mounted



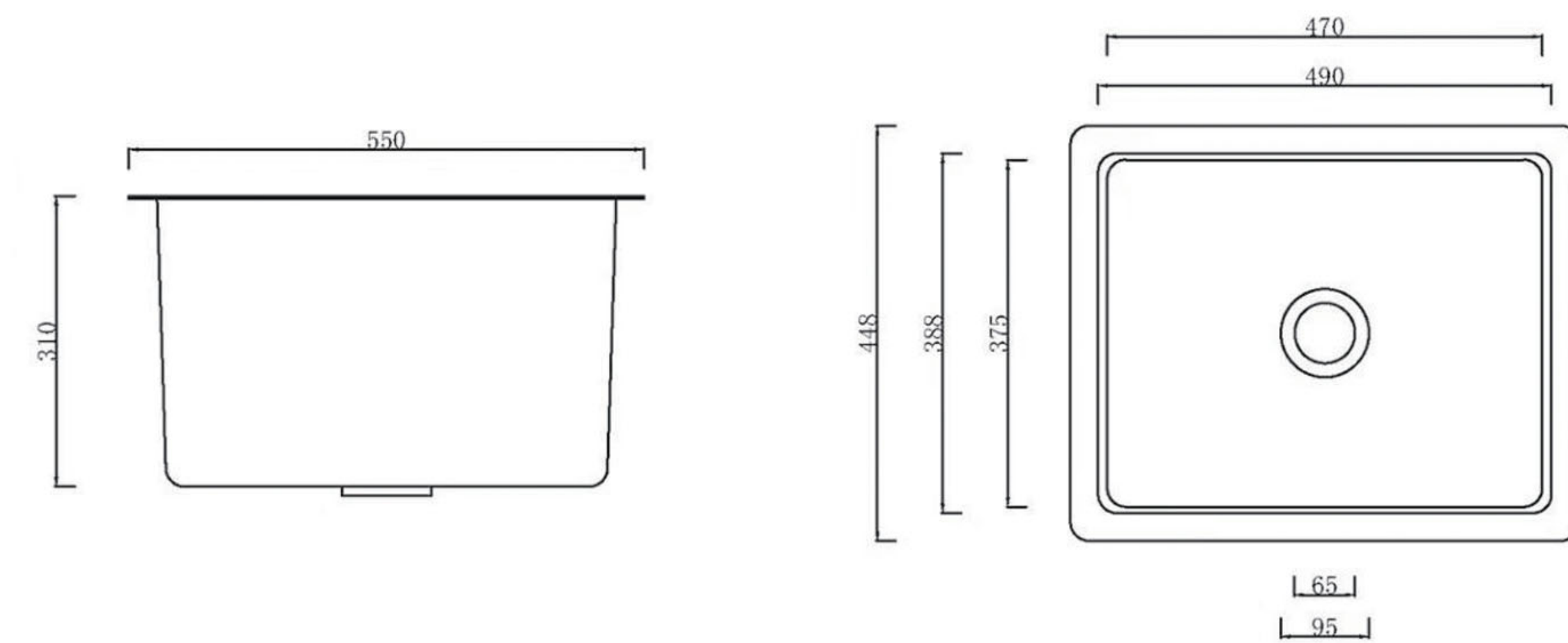
SPECIFICATION

It is injection molded and made of high grade PP fresh material, is of high density, stability and elasticity. Also it is aging resistant.

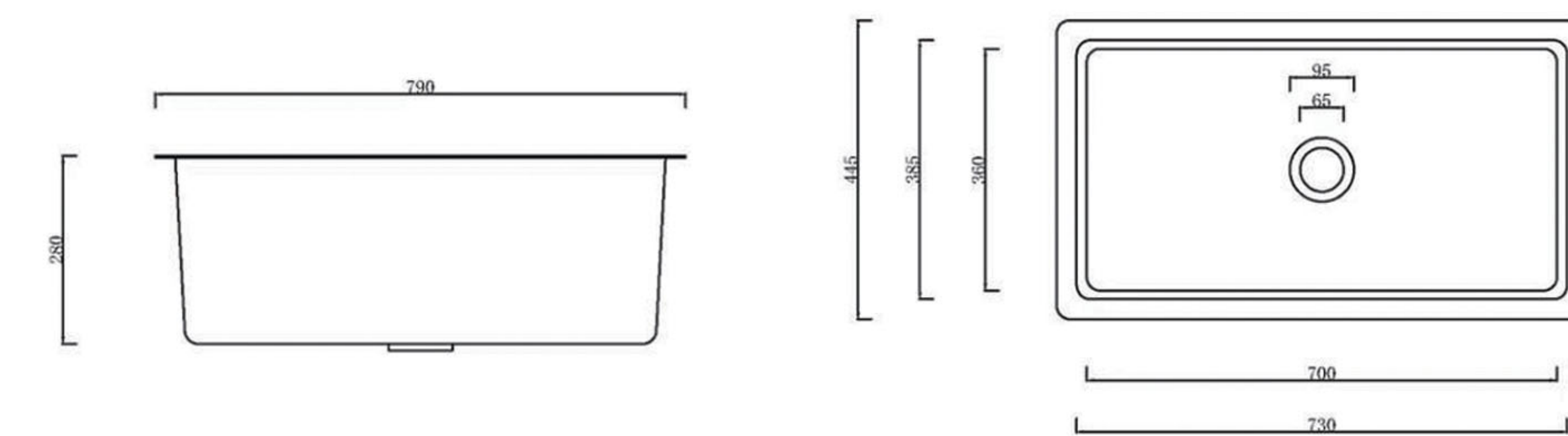
Innovative PP basket trap solves the jamming problem caused by impurities.



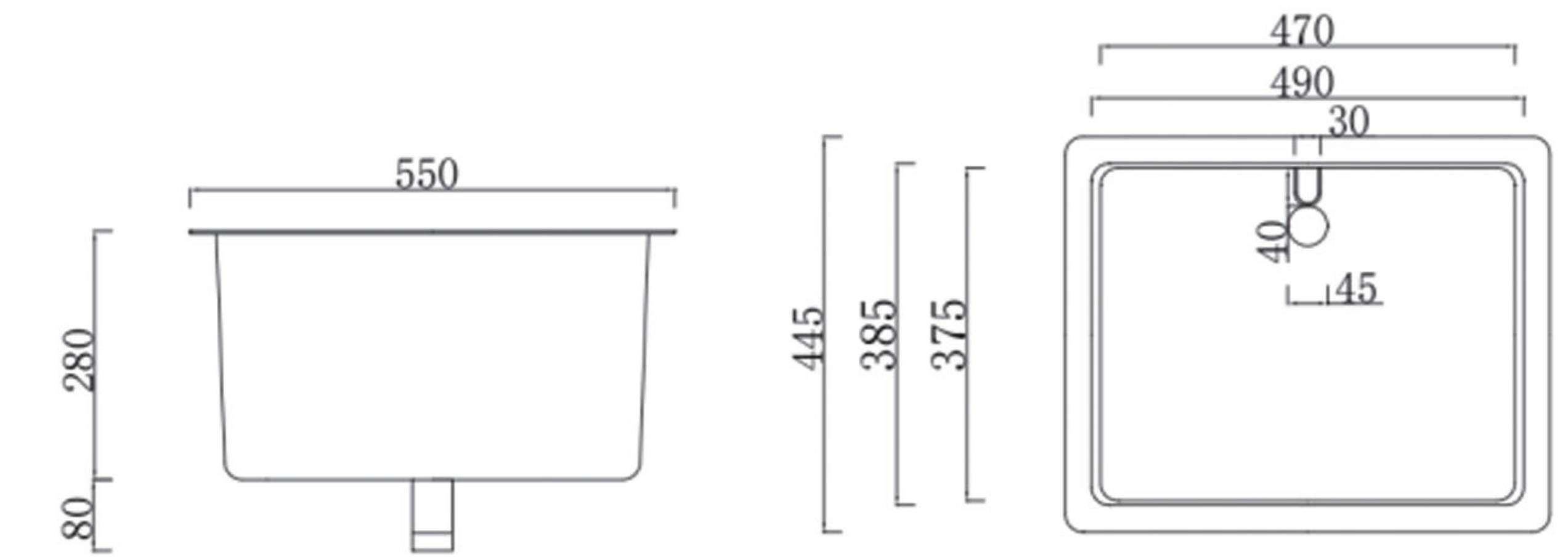
LS-01



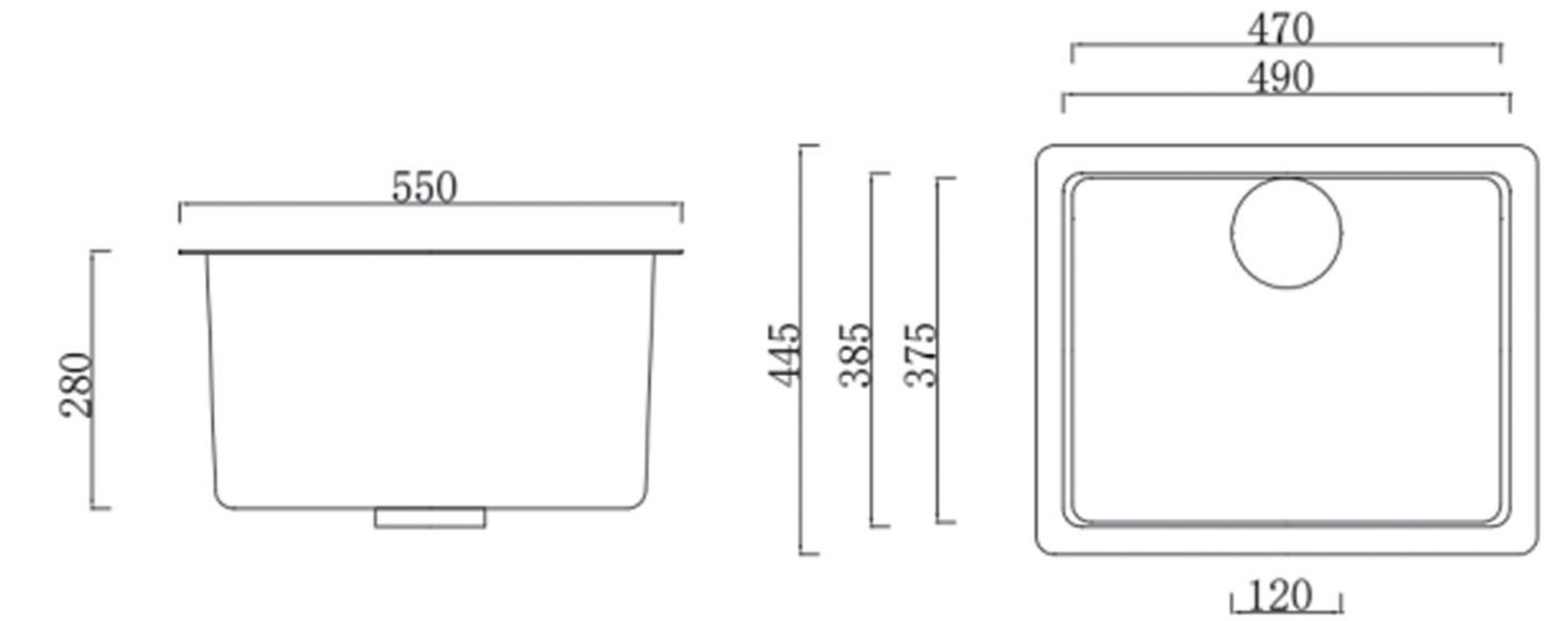
LS-02



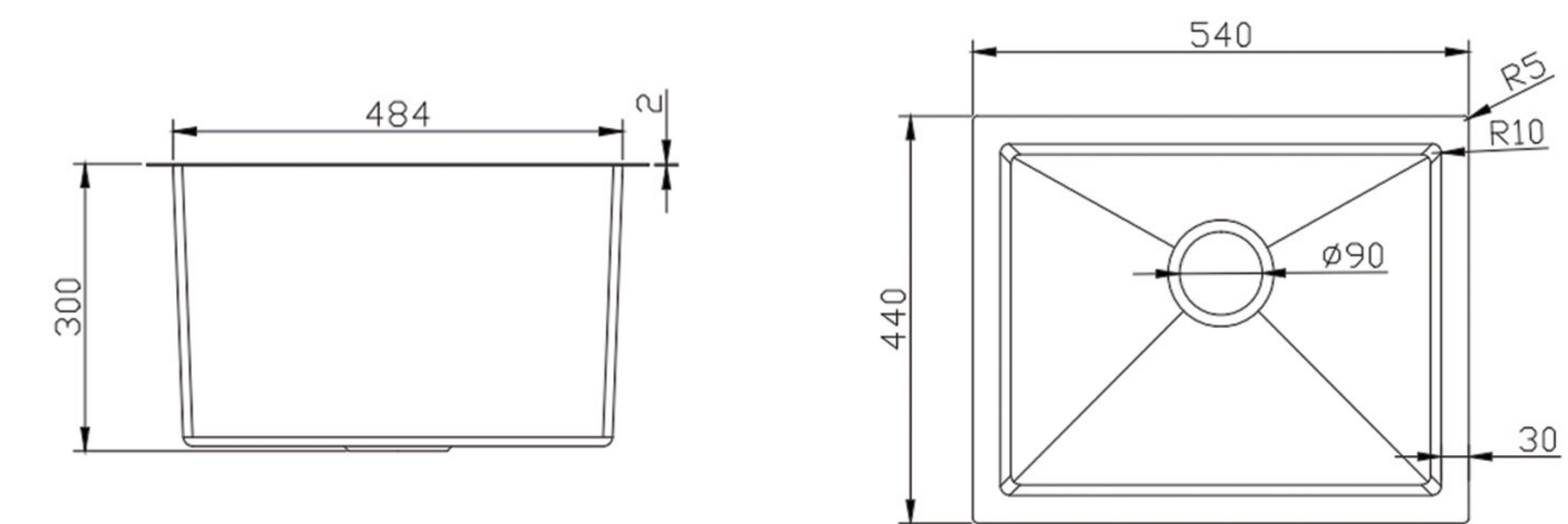
LS-03



LS-04 (Anti-overflow)



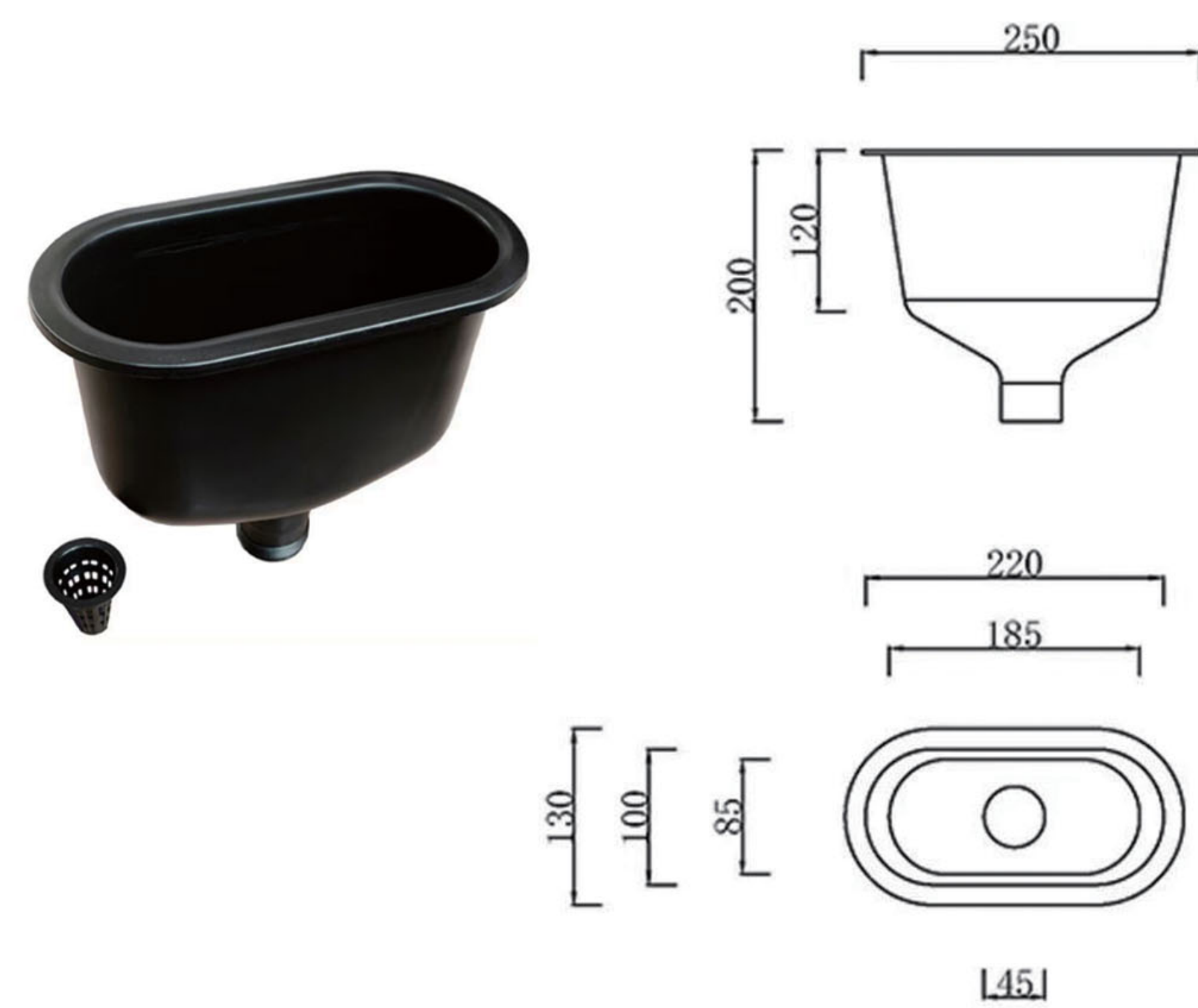
LS-05 (Anti-Noxious Gas)



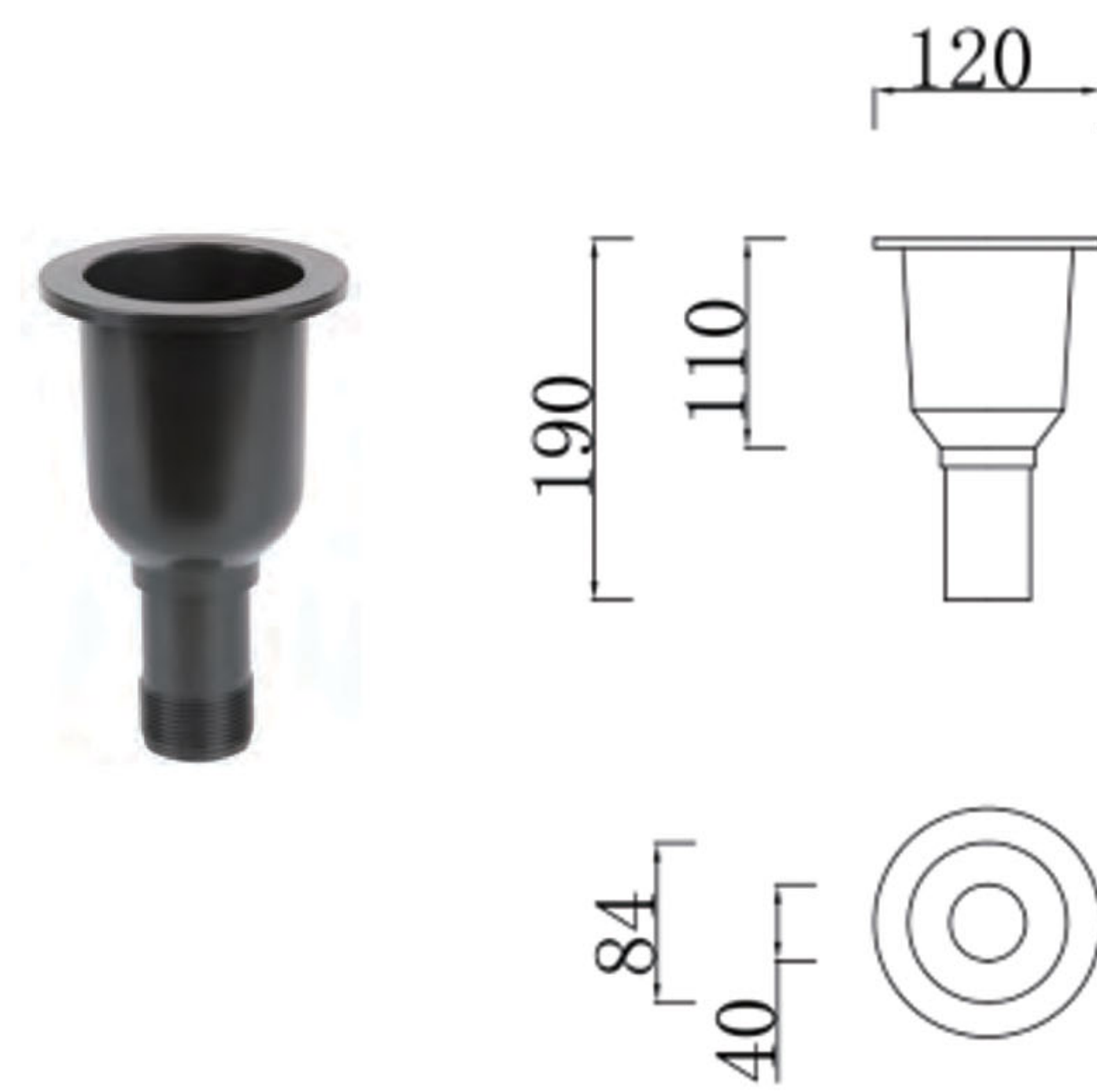
LS-06 (Stainless steel)

304 stainless steel/Fine matt finish/Basket trap/Equipped with overflow, fine texture, corrosion/Resistant and easy to clean

LAB SINK



LS-07



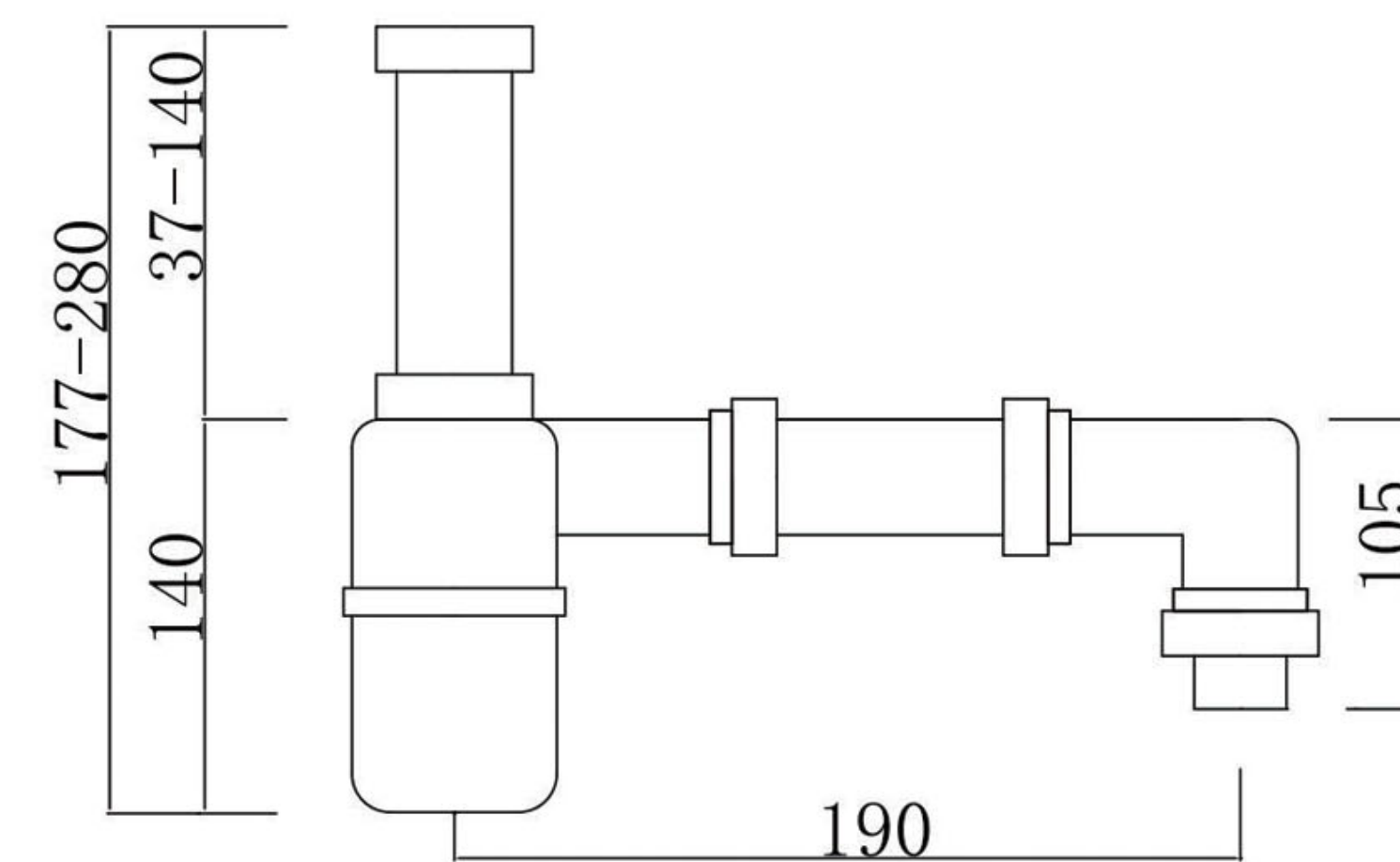
LS-08

STANDARD ACCESSORIES

- 1.*High grade PP overflow
- 2.*Including stopper
- 3.*Basket trap
- 4.*PP hose



OPTIONAL ACCESSORIES



PP anti-siphon bottle trap, block the backflow to the noxious gas in the sewer.

PEG BOARDS



Innovative latch design can fasten the the peg and body through groove that protects labwares.
Pegs are detachable. Insert the cover into the hole after peg removal for better appearance.
Integrated body with drip trough and hose at the bottom.

PEG BOARDS



SPECIFICATION

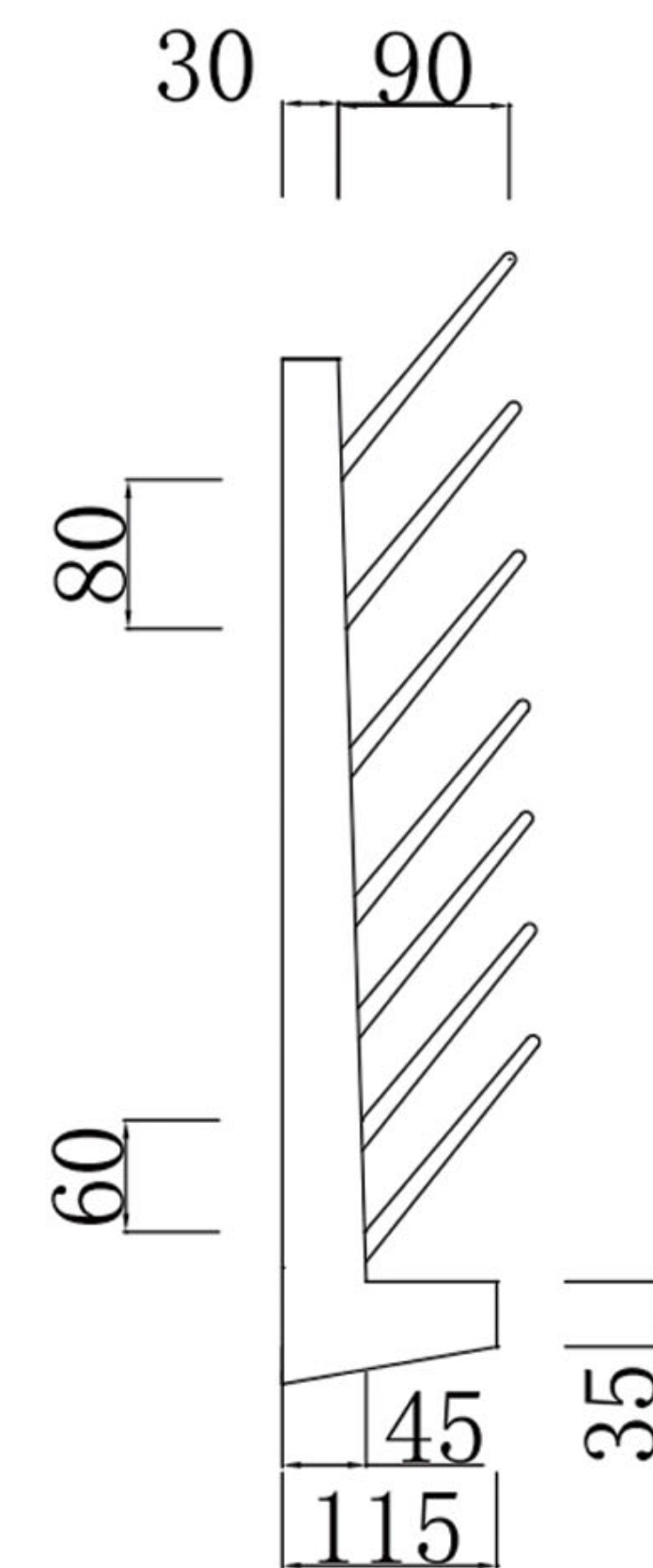
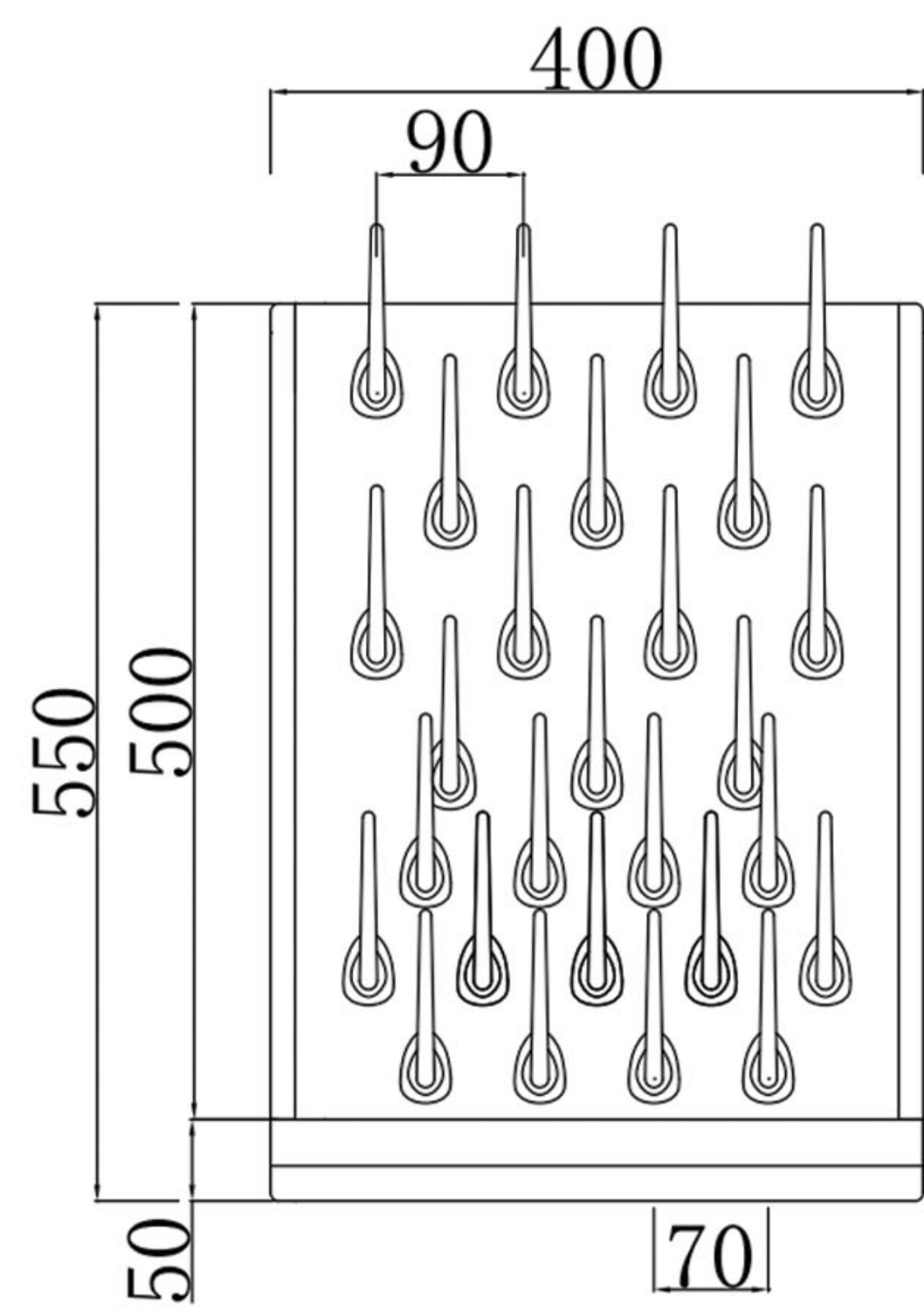
Body: High grade PP, fresh material, chemical and aging resistance

Type: Single faced/Double faced

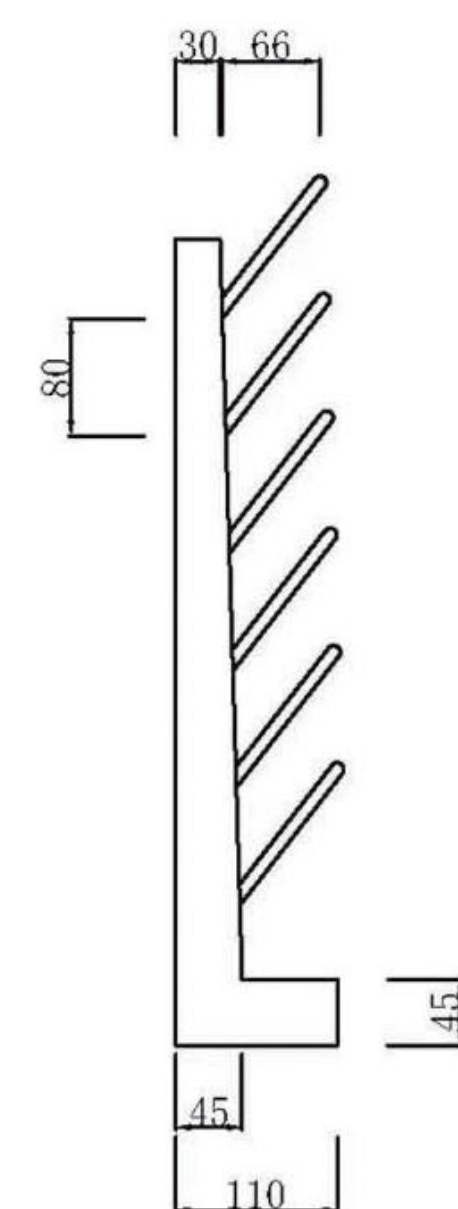
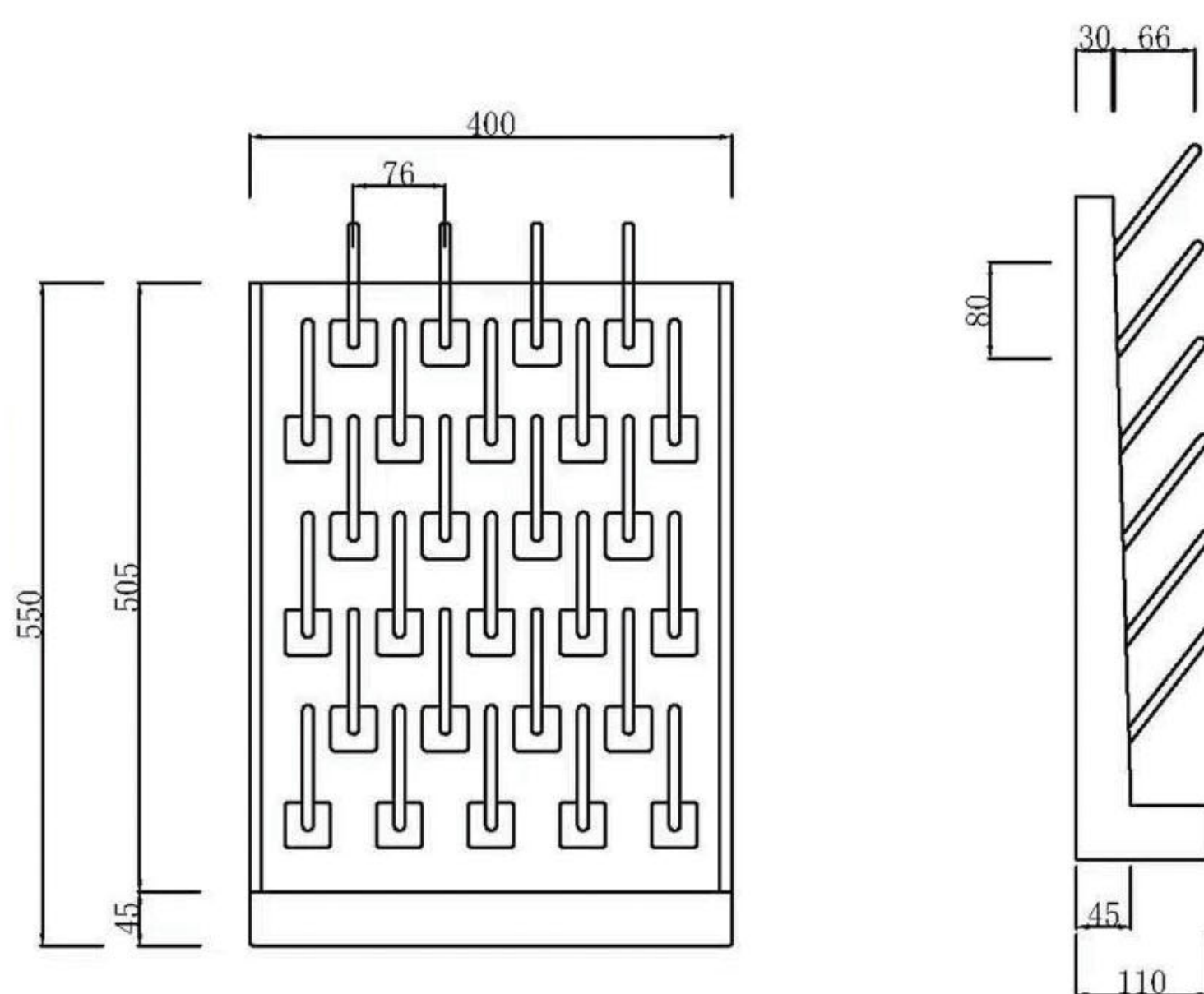
Color □ Black/Grey

Installation Type: Panel mounted/Deck mounted

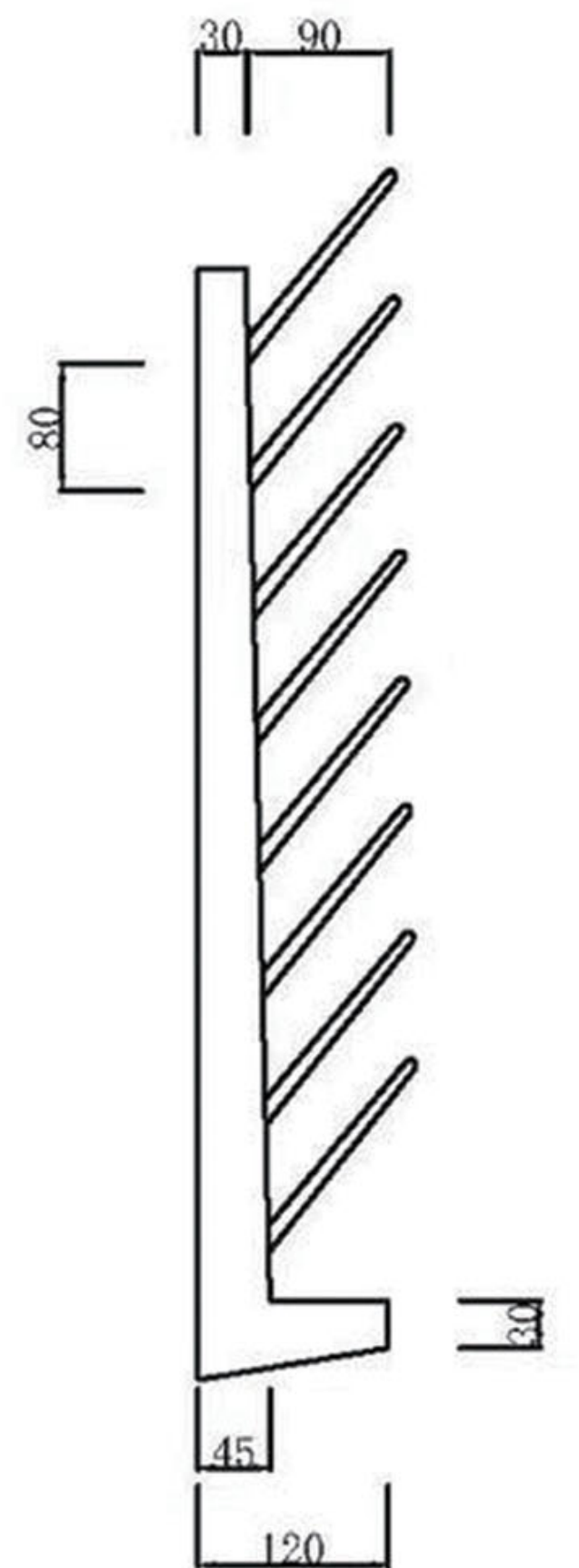
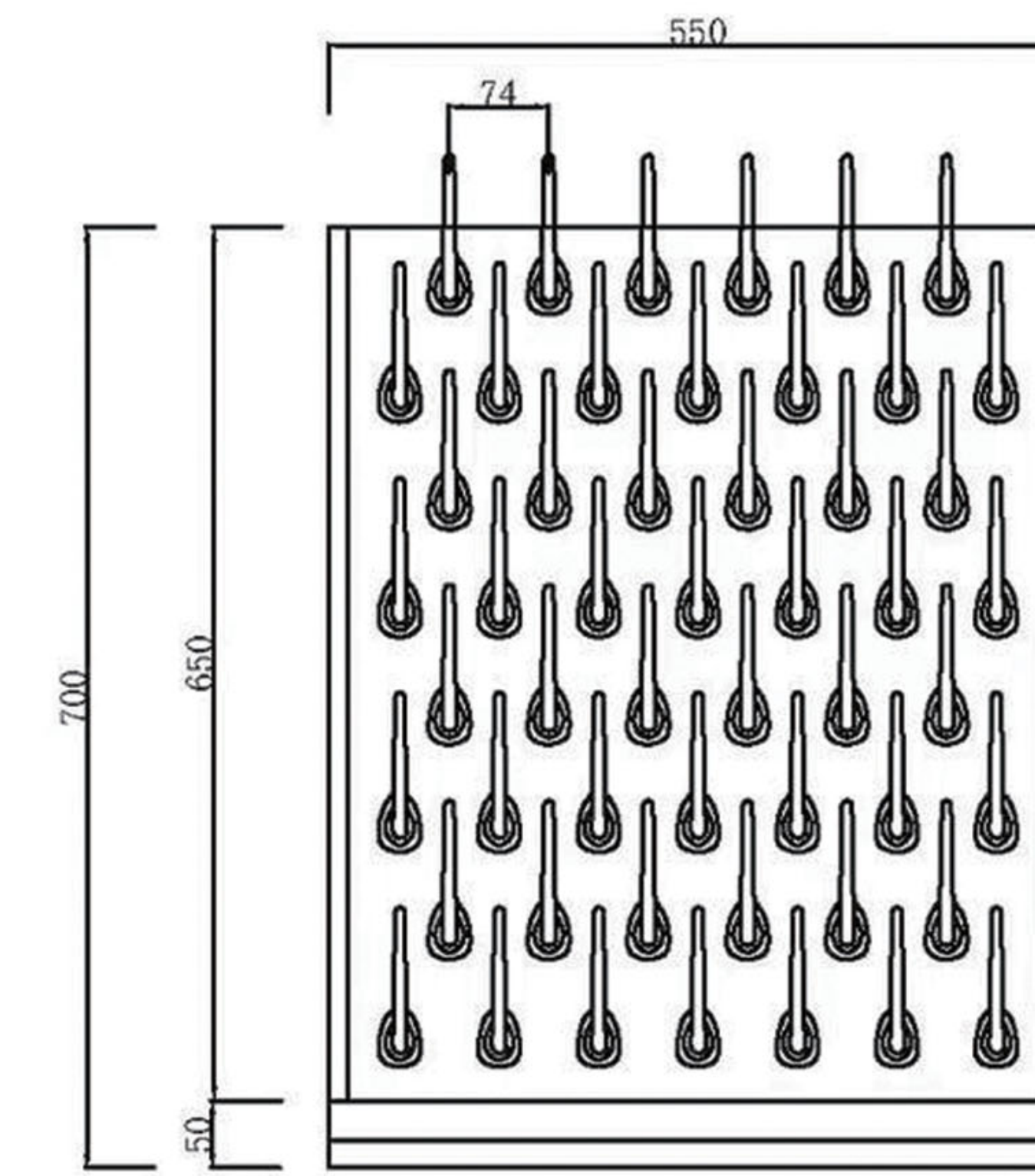
Peg: Black/White; Detachable; Latch design for convenient use.



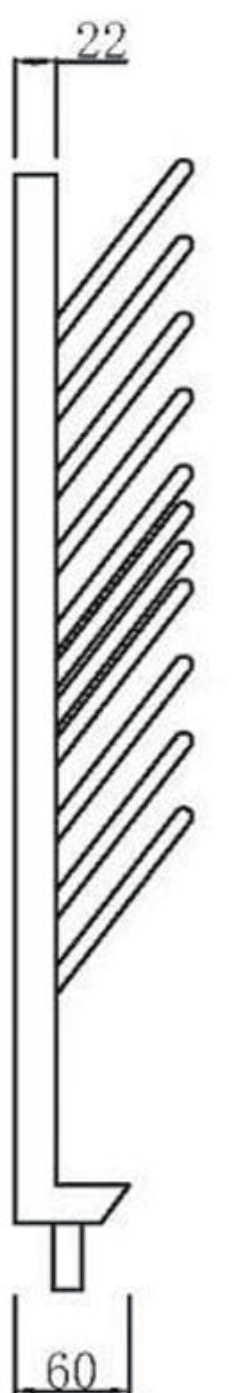
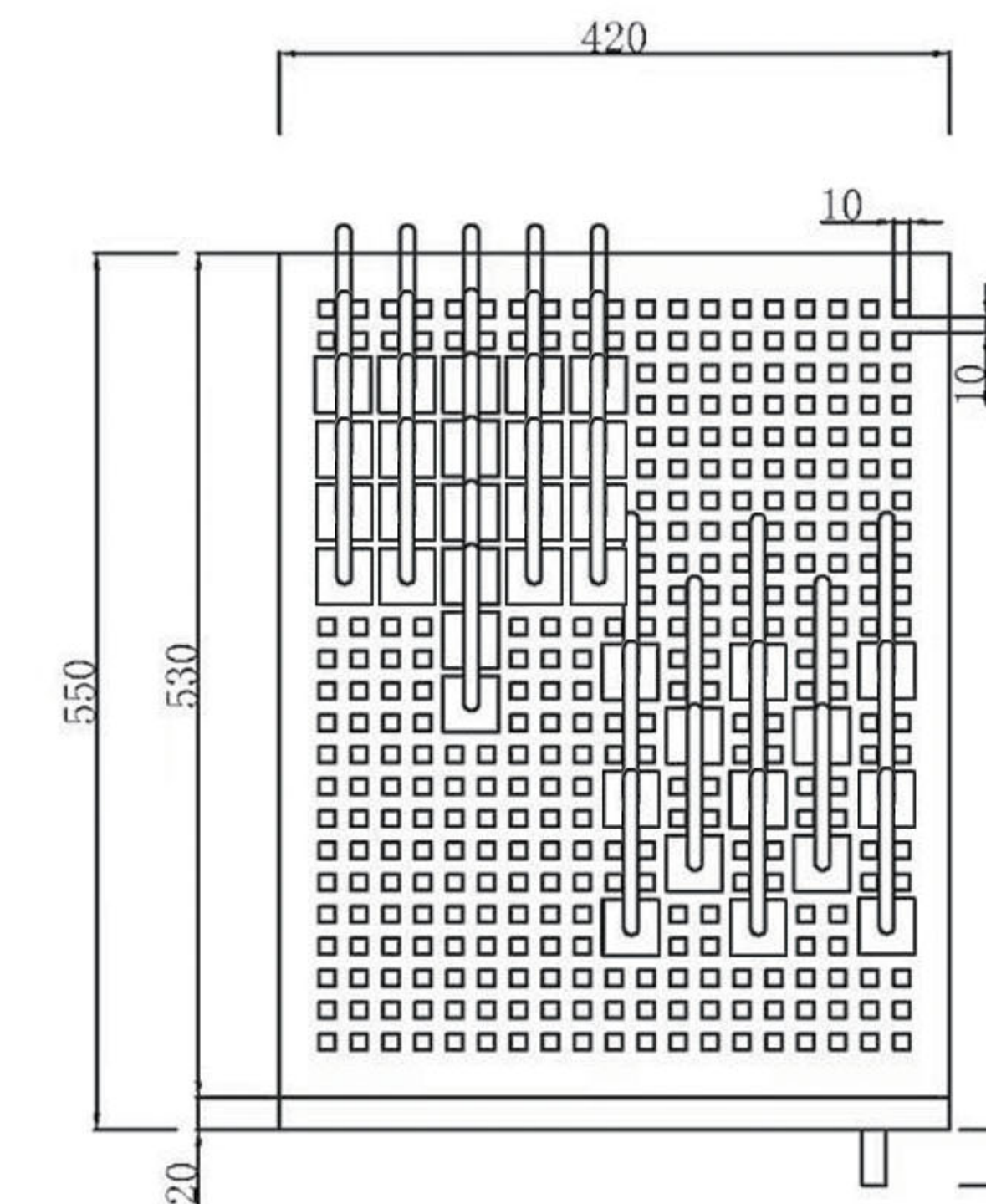
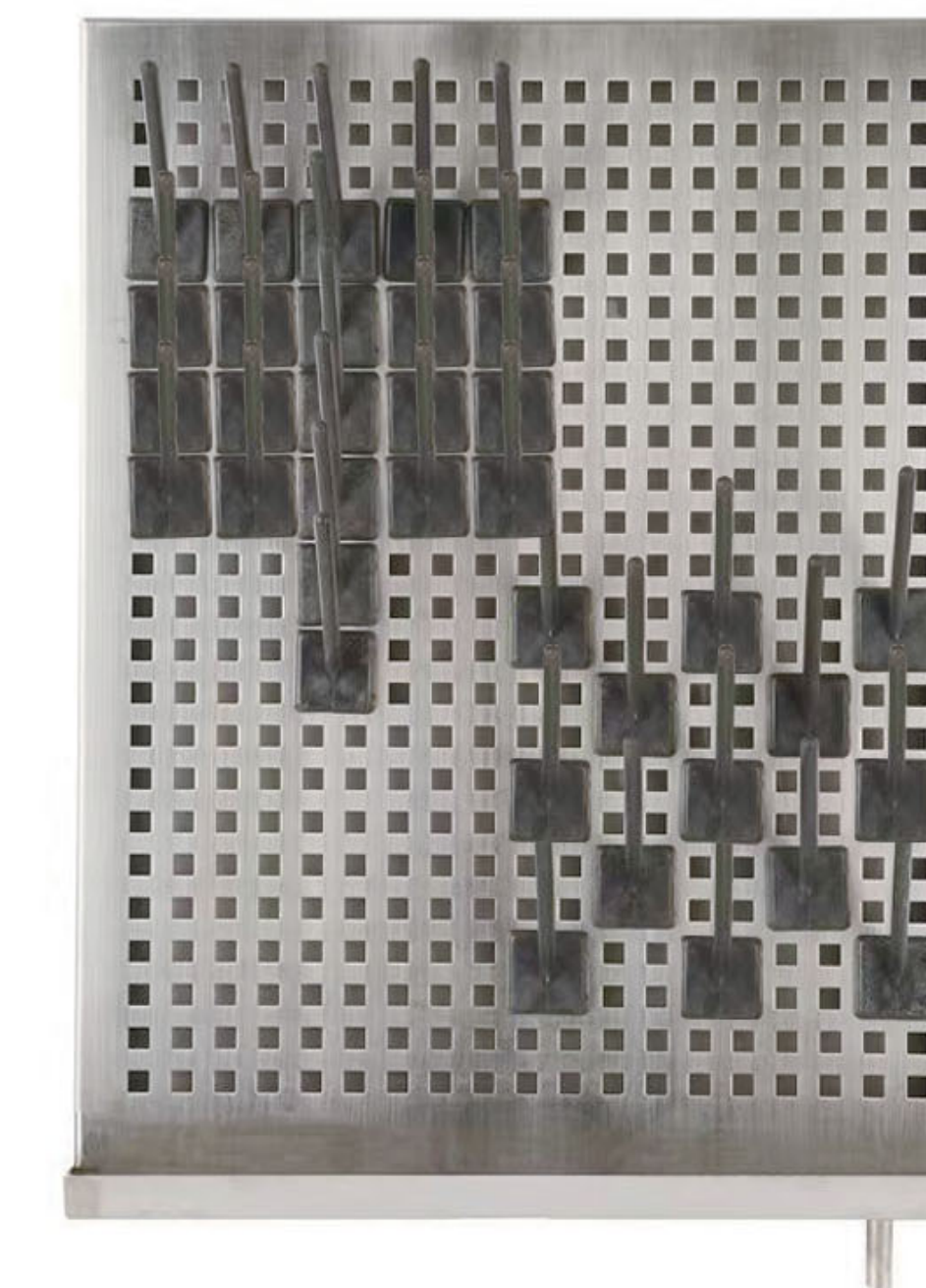
PB-01 (Pegs: 27)
(Grey, Black, White)



PB-01-1 (Pegs: 27)
(offwhite)(Detachable)



PB-02 (Pegs: 52)
(Grey, Black, White)



PB-03 (Pegs: 27)
(Body: 304 Stainless Steel)

Body is manufactured using sturdy and durable 304 stainless steel; Pegs are located freely and easily for assembling and disassembling.